

T.O. 31R2-4-101-4

ILLUSTRATED PARTS BREAKDOWN

RADIO RECEIVER

MODEL SP-600-JX-21

(HAMMARLUND)

PUBLISHED UNDER AUTHORITY OF THE SECRETARY OF THE AIR FORCE

AIR FORCE, PHILCO CORP., Phila. 6/10/60-300 (Reprint)

15 JANUARY 1956

Manual Provided by Jeffrey L. Adams
Scanned by Jeffrey L. Adams
eengineer@erols.com
Not for Commercial Use

Reproduction for non-military use of the information or illustrations contained in this publication is not permitted without specific approval of the issuing service (BuAer or JSAF). The policy for use of Classified Publications is established for the Air Force in AFR 205-1 and for the Navy in Navy Regulations, Article 1509.

LIST OF REVISED PAGES ISSUED

INSERT LATEST REVISED PAGES. DESTROY SUPERSEDED PAGES.

NOTE: The portion of the text affected by the current revision is indicated by a vertical line in the outer margins of the page.

*The asterisk indicates pages revised, added or deleted by the current revision.

ADDITIONAL COPIES OF THIS PUBLICATION MAY BE OBTAINED AS FOLLOWS:

USAF ACTIVITIES.—In accordance with Technical Order No. 00-5-2.

NAVY ACTIVITIES.—Submit request to nearest supply point listed below, using form NavAer-140: NASD, Philadelphia, Pa.; NAS, Alameda, Calif.; NAS, Jacksonville, Fla.; NAS, Norfolk, Va.; NAS, San Diego, Calif.; NAS, Seattle, Wash.; ASD, NSC, Guam.

For listing of available material and details of distribution see Naval Aeronautics Publications Index NavAer 00-500.

USAF

TABLE OF CONTENTS

Section	Page
I INTRODUCTION	1
II GROUP ASSEMBLY PARTS LIST	5
Radio Receiver SP-600-JX-21	4
Chassis and Panel Assembly	6
Panel Assembly	9
Frequency Control Unit	11
Filter Assembly	13
Chassis and Tuning Unit Assembly	15
Tuning Unit Assembly	17
Radio Frequency Wiring Assembly	20
Mixer Plate Coil Assembly	22
Radio Frequency Input Assembly, 0.54 - 1.35 Mc	22
Radio Frequency Transformer Assembly, 0.54 - 1.35 Mc	23
High Frequency Oscillator Assembly, 0.54 - 1.35 Mc	23
Radio Frequency Input Assembly, 1.35 - 3.45 Mc	24
Radio Frequency Transformer Assembly, 1.35 - 3.45 Mc	24
High Frequency Oscillator Assembly, 1.35 - 3.45 Mc	25
Radio Frequency Input Assembly, 3.45 - 7.4 Mc	25
Radio Frequency Transformer Assembly, 3.45 - 7.4 Mc	26
High Frequency Oscillator Assembly, 3.45 - 7.4 Mc	26
Radio Frequency Input Assembly, 7.4 - 14.8 Mc	28
Radio Frequency Transformer Assembly, 7.4 - 14.8 Mc	28
High Frequency Oscillator Assembly, 7.4 - 14.8 Mc	29
Radio Frequency Input Assembly, 14.8 - 29.7 Mc	29
Radio Frequency Transformer Assembly, 14.8 - 29.7 Mc	30
High Frequency Oscillator Assembly, 14.8 - 29.7 Mc	30
Radio Frequency Input Assembly, 29.7 - 54.0 Mc	31
Radio Frequency Transformer Assembly, 29.7 - 54.0 Mc	32
High Frequency Oscillator Assembly, 29.7 - 54.0 Mc	32
Gear Train Assembly	34
Mounting Disc and Shaft Assembly	36
Tuning Unit and Shield Assembly	37
Chassis Assembly	39
Selectivity Switch Assembly	45
Terminal Assembly	46
Terminal Assembly	46
Oscillator Terminal Board Assembly	47
Terminal Assembly	47
Terminal Board Assembly	48
Beat Frequency Oscillator Assembly	49
Crystal Filter Assembly	50
Intermediate Frequency Transformer Assembly	52
Intermediate Frequency Transformer Assembly	54
III NUMERICAL INDEX	55
IV REFERENCE DESIGNATION INDEX	61

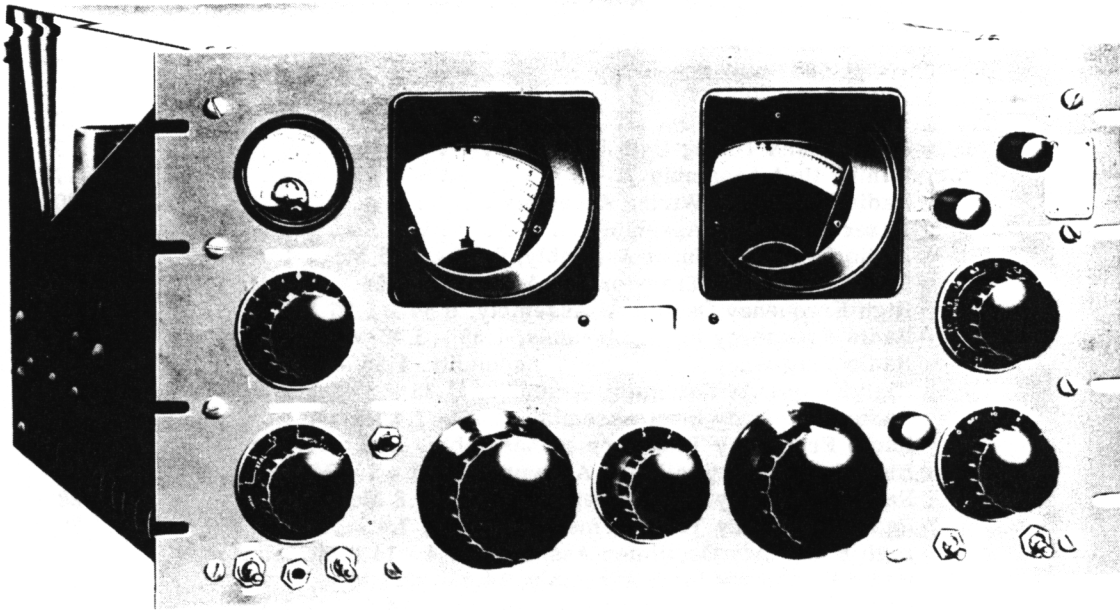


Figure 1. Radio Receiver, Model SP-600-JX-21

**SECTION I
INTRODUCTION**

1-1. GENERAL.

1-2. This Illustrated Parts Breakdown illustrates, lists and describes all of the assemblies and detail parts for the Radio Receiver, Model SP-600-JX-21 designed and manufactured by the Hammarlund manufacturing Company, Inc., New York, New York.

1-3. GROUP ASSEMBLY PARTS LIST.

1-4. **GENERAL.** The Group Assembly Parts List (Section II), provides illustrations of the equipment with an accompanying parts list. Index numbers on the parts list correspond to those on the illustration. Any part can be identified if its part number, description, or physical configuration is known.

1-5. **PURPOSE.** The Group Assembly Parts List is not to be used as the authority for the procedure of assembly or disassembly of the equipment. It is intended only for use in requisitioning, storing, issuing, and identifying parts. Overhaul or repair should be done by authorized personnel using applicable handbooks.

1-6. **PART NUMBER COLUMN.** This column lists the contractor's (Hammarlund Manufacturing) part numbers, except where government standard (AN, JAN, MS, NAS, NAF, USAF), or vendor's part numbers are used. The term "No Number" is used in the part number column to list parts procurable from a specific vendor when the part has no assigned part number or when the assigned number does not fully describe the part. In such cases, the information necessary for procurement purposes is given in the "DESCRIPTION" column. An asterisk (*) before the term "No Number" in the part number column indicates parts or assemblies which cannot be procured. Items procurable from normal commercial sources are listed as "COMM" and are also described in the "DESCRIPTION" column.

1-7. **DESCRIPTION COLUMN.** The indentation arrangement of the "DESCRIPTION" column under the numbers "1 through 7" is used to show the relationship of a part or assembly to another part or assembly. For example, a part or assembly listed under indent "3" will be a component of the assembly listed above it under indent "2".

1-8. **ATTACHING PARTS.** These are items used to attach parts or assemblies to each other. These attaching parts are listed immediately following the assembly or part that they attach. The symbol "---*---" is used to denote the end of the attaching parts and

the continuation of the listing. The indentation of attaching parts is the same as the parts that they attach.

1-9. **UNITS PER ASSY COLUMN.** The number appearing in this column is the total quantity of the listed part required in its immediate assembly. The letters "Ref" indicate that the listing of the part is repeated here and that reference should be made to its previous listing in the catalog. The letters "AR" indicate parts to be used as required. The letters "NP" indicate parts or assemblies which are non-procurable.

1-10. **USABLE ON CODE COLUMN.** Part variations within two or more similar models or assemblies are indicated by an alphabetical code of capital letters in the "USABLE ON CODE" column. When the "USABLE ON CODE" column is blank the part is used on all models covered by this breakdown.

1-11. VENDORS' CODE.

1-12. When a part number listed is neither a contractor nor a government standard part number, a code which denotes the vendor from whom the part can be procured is shown in parentheses following the description.

VENDORS' CODES

CODE	NAME AND ADDRESS
AB	Allen-Bradley Co. New York, N.Y.
AEV	Aerovox Corp. New Bedford, Mass.
AHH	Arrow-Hart and Hegeman Electric Co. Hartford, Conn.
ALN	The Allen Mfg. Co. Hartford, Conn.
ALP	Alden Products Co. Brockton, Mass.
BBR	Birnbach Radio Co. New York, N.Y.
BDN	Belden Mfg. Co. Chicago, Ill.
BEI	Beede Electrical Instrument Co. Penacook, N.H.

tion

VENDORS' CODES (cont)

NAME AND ADDRESS

Biley Electric Co.
New York, N.Y.

Bussman Mfg. Co.
New York, N.Y.

Canfield Rubber Co.
New York, N.Y.

Cambridge Thermionic Corp.
Cambridge, Mass.

Henry L. Crowley and Co., Inc.
West Orange, N.J.

Cinch Mfg. Corp.
New York, N.Y.

Cutler-Hammer, Inc.
New York, N.Y.

Hugh H. Eby, Inc.
Philadelphia, Pa.

Electrical Industries, Inc.
Newark, N.J.

Elemenco Products Co.
New York, N.Y.

A.W. Franklin Mfg. Corp.
Long Island City, N.Y.

General Electric Co.
New York, N.Y.

Groov-Pin Corp.
Ridgefield, N.J.

Heyman Mfg. Co.
Kenilworth, N.J.

Insuline Corp. of America
Long Island City, N.Y.

International Resistance Co.
Philadelphia, Pa.

Jeffers Electronics Co.
St. Mary's, Pa.

Howard B. Jones Div
Cinch Mfg. Co.
Chicago, Ill.

P.R. Mallory and Co., Inc.
New York, N.Y.

J.W. Miller Co.
Los Angeles, Calif.

Model Eng. and Mfg. Co.
Huntington, Ind.

VENDORS' CODES (cont)

CODE NAME AND ADDRESS

NL The National Lock Washer Co.
Newark, N.J.

OAK Oak Mfg. Co.
Chicago, Ill.

RAMT Radio Material Corp.
Chicago, Ill.

SH Shakeproof, Inc.
Elgin, Ill.

SWLC Walter L. Schott
New York, N.Y.

TIN Tinnerman Products, Inc.
Cleveland, Ohio

TTE Times Facsimile Corp.
New York, N.Y.

WS Weston Electrical Instrument Corp.
New York, N.Y.

ZE Zierick Mfg. Corp.
New Rochelle, N.Y.

1-13. NUMERICAL INDEX.

1-14. GENERAL. The Numerical Index (Section III) is an index to the Group Assembly Parts List (Section II). The part numbers are listed in an alphabetical-numerical sequence except that "No Number" and "COMM" parts are listed alphabetically by their principle identifying noun, and precede the listings of part numbers in the index. Figure-and-index-number listings for contractor and vendor parts are complete; for government standard parts the figure-and-index-number listing is limited to the first reference made to the part in the Group Assembly Parts List. The "QUANTITY PER ARTICLE" column indicates the total quantity of the listed part used in the equipment.

1-15. REFERENCE DESIGNATION INDEX.

1-16. GENERAL. The Reference Designation Index (Section IV) is a cross reference between those parts which have been assigned a reference designation number and the Group Assembly Parts List (Section II).

1-17. HOW TO USE THIS ILLUSTRATED PARTS BREAKDOWN.

1-18. WHEN THE PART NUMBER IS KNOWN AND IT IS DESIRED TO LEARN THE APPEARANCE OF THE PART.

- a. Refer to the Numerical Index for the applicable figure and index number.
- b. Locate the desired index number on the illustration.

1-19. WHEN THE PART NUMBER IS KNOWN AND IT IS DESIRED TO FIND THE DESCRIPTION.

- a. Refer to the Numerical Index for the applicable figure and index number.
- b. Locate the desired index number in the Group Assembly Parts List and read the description in the "DESCRIPTION" column.

1-20. WHEN THE PART NUMBER IS NOT KNOWN AND IT IS DESIRED TO FIND THE PART NUMBER AND/OR THE DESCRIPTION.

- a. Refer to the illustration to find the part, and note its figure and index number.
- b. Locate the index number in the Group Assembly Parts List and read the part number and description in the appropriate column.

1-21. SOURCE CODE DEFINITIONS.

1-22. CODE "P" - PARTS UNDER INVENTORY STOCK CONTROL.

1-23. CODE "P" is applied to parts which are procured in view of relatively high usage. Code "P" parts may be requisitioned and installed by any maintenance level, unless followed by the letter - "O", which restricts requisition and replacement to Depot (O&R) level only. Restricted service manufacture is considered practicable but only after an attempt has been made to procure from Supply Sources. In lieu of procurement of "P" code parts, the Department may designate a Depot (O&R) level activity to manufacture supply requirements for the Program.

1-24. CODE "P1" is applied to parts which are very difficult or uneconomical to manufacture. Service manufacture is considered impracticable. Code "P1" parts may be requisitioned and installed by any maintenance level, unless followed by the letter - "O" which restricts requisition and replacement to Depot (O&R) level only.

1-25. CODE "M" MANUFACTURE, PARTS NOT PROCURED.

1-26. CODE "M" is applied to parts which are within the facilities of any activity to manufacture. Procurement and stocking are not justified in view of the relatively low usage, or storage and installation factors, of these parts. Needs are to be met by local manufacture as required.

1-27. CODE "M1" is applied to parts which can be manufactured only by utilizing the facilities of the Depot (O&R) activity. Procurement and stocking of these parts are not justified in view of their relatively low usage and installation factors. The needs of all

activities are to be met through salvage, or by Depot (O&R) level manufacture.

1-28. CODE "A" ASSEMBLE - ASSEMBLY NOT PROCURED.

1-29. CODE "A" is applied to assemblies made up of two or more units each of which carries individual part numbers and description, and which may be assembled by any Maintenance level.

1-30. CODE "A1" is applied to assemblies made up of two or more parts each of which carries individual part numbers and description, and which may be assembled only by activities having Depot (O&R) facilities.

1-31. CODE "X" PARTS CONSIDERED IMPRACTICABLE FOR MANUFACTURE OR PROCUREMENT.

1-32. CODE "X" is applied to Main Structural Members or similar parts which if required, would suggest extensive aircraft or equipment reconditioning. The need of a part, or parts, coded "X" (wing spar caps, center section structure) should normally result in a recommendation to retire the aircraft or equipment from Service.

1-33. CODE "X1" is applied to parts for which procurement of the next larger assembly is justified; e.g., and integral detail part, such as welded segments inseparable from its assembly; a part machined in a matched set; or a part of an assembly which, if required, would suggest extensive reconditioning of each assembly.

1-34. CODE "X2" is applied to parts which are neither procured nor stocked. Activities requiring such parts shall attempt to obtain from salvage; if not obtainable from salvage, such parts shall be requisitioned through normal supply channels with supporting justification.

1-35. CODE * PARTS PROCURED, MANUFACTURED OR STOCKED.

1-36. CODE * applies to installation drawings, diagrams, instructions or field service drawings, basic drawing numbers which cannot be procured or manufactured and obsolete parts.

1-37. STOCK NUMBERS.

1-38. When the stock number of an item does not appear in the Illustrated Parts Breakdown, reference should be made to the S-00-1 Master Numerical Index.

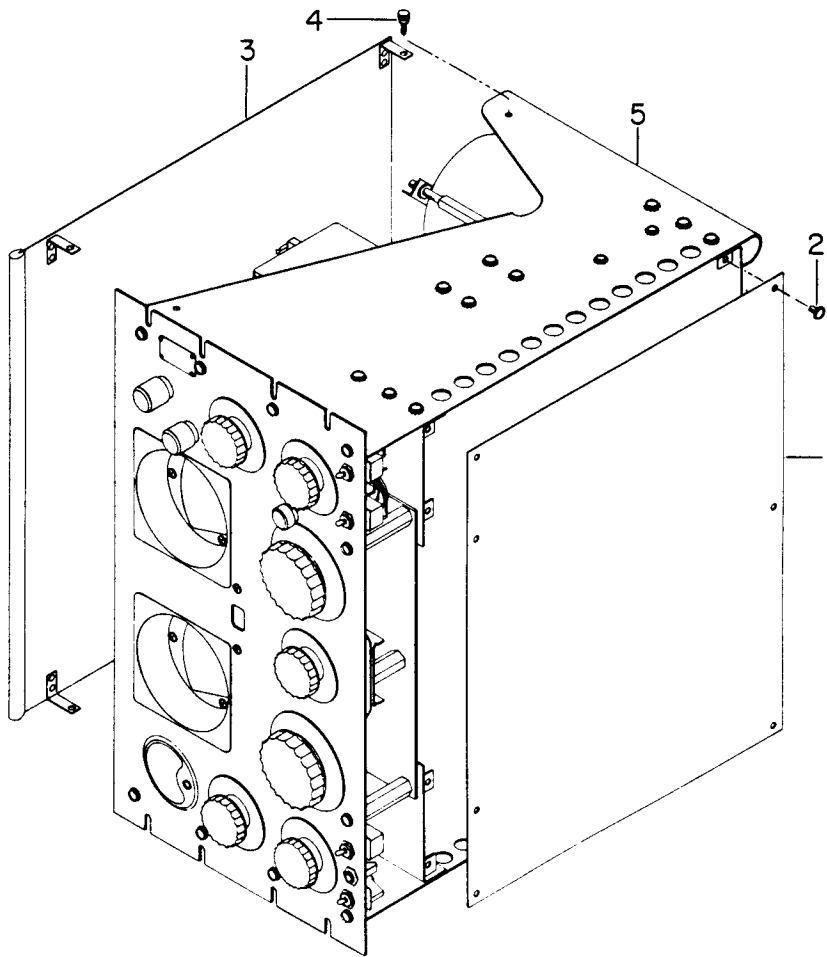


Figure 2. Radio Receiver SP-600-JX-21

SECTION II
GROUP ASSEMBLY PARTS LIST

FIG. & INDEX NO.	PART NO.	DESCRIPTION							UNITS PER ASSY	USABLE ON CODE
		1	2	3	4	5	6	7		
RADIO RECEIVER SP-600-JX-21										
2-	33904-3	RADIO RECEIVER SP-600-JX-21							1	
-1	31145-1	. PLATE, Bottom							1	
(ATTACHING PARTS)										
-2	COMM	. SCREW, Binding hd steel Cd pl No. 10-32 NF-2 x							7	
5/16 in. lg w/external tooth lock washer										
steel Cd pl 0.408 OD x 0.024 in. thick (SH)										
----*----										
-3	31476-1	. PLATE ASSY, Cover							1	
(ATTACHING PARTS)										
-4	COMM	. SCREW, Thumb knurled hd brs nickel pl No. 6-32							4	
NC-2 x 13/32 in. lg (CGT)										
----*----										
-5	33901-3	. . CHASSIS AND PANEL ASSY (see fig. 3 for							1	
breakdown)										
CHASSIS AND PANEL ASSEMBLY										
3-	33901-3	CHASSIS AND PANEL ASSY (see fig. 2-5 for next							Ref	
higher assy)										
-1	UG-102/U	. PLUG, Connector							1	
-2	UG-104/U	. CONNECTOR, Adapter							1	
-3	TS102U02	. SHIELD, Electron tube (JAN-S-28A)							11	
-4	TS103U02	. SHIELD, Electron tube (JAN-S-28A)							1	
-5	TS102U01	. SHIELD, Electron tube (JAN-S-28A)							3	
-6	TS102U03	. SHIELD, Electron tube (JAN-S-28A)							1	
-7	31449-1	. SHIELD ASSY, Electron tube							1	
-8	JAN5749/6BA6W	. TUBE, Electron (MIL-E-1B)							7	
-9	JAN12AU7	. TUBE, Electron (MIL-E-1B)							1	
-10	JAN5726/6AL5 W/6097	. TUBE, Electron (MIL-E-1B)							3	
-11	JANOA2	. TUBE, Electron (MIL-E-1B)							1	
-12	JAN6V6GT	. TUBE, Electron (MIL-E-1B)							1	
-13	JAN5R4GY	. TUBE, Electron (MIL-E-1B)							1	
-14	JAN6C4	. TUBE, Electron (MIL-E-1B)							3	
-15	JAN6BE6	. TUBE, Electron (MIL-E-1B)							2	
-16	47	. LAMP, Incandescent 6 - 8 v 0.15 amp (GE)							4	
	31453-1	. LAMP ASSY, Dial							1	
-17	81	. LAMPHOLDER, Bayonet (ALP)							4	
-18	31227-3	. KNOB AND DIAL ASSY, Phasing							1	
-19	31227-5	. KNOB AND DIAL ASSY, Selectivity							1	
-20	31215-1	. KNOB AND SKIRT ASSY							2	
-21	31227-2	. KNOB AND DIAL ASSY, Audio gain							1	
-22	31227-1	. KNOB AND DIAL ASSY, Radio frequency gain							1	
-23	31227-4	. KNOB AND DIAL ASSY, Beat oscillator							1	

FIG. & INDEX NO.	PART NO.	DESCRIPTION							UNITS PER ASSY	USABLE ON CODE	
		1	2	3	4	5	6	7			
CHASSIS AND PANEL ASSEMBLY (cont)											
3-28	31238-1	.	PANEL ASSY (See fig. 4 for breakdown)							1	
			(ATTACHING PARTS)								
-29	COMM	.	SCREW, Binding hd steel Cd pl No. 10-32 NF-2							2	
			x 1/2 in. lg								
-30	COMM	.	SCREW, Binding hd steel Cd pl No. 10-32 NF-2							8	
			x 1 in. lg								
-31	AN936A10	.	WASHER							10	
			*---								
-32	415-3	.	COUPLER, Flexible							3	
-33	415-2	.	COUPLER, Flexible							1	
-34	6039-1	.	SPRING							1	
-35	31437-1	.	STUD							1	
			(ATTACHING PARTS)								
-36	AN935-6	.	WASHER							1	
			*---								
-37	31433-1	.	ROD, Drive							1	
			(ATTACHING PARTS)								
-38	31470-1	.	PIN, Screw							2	
-39	AN935-4	.	WASHER							2	
			*---								
-40	31435-1	.	WHEEL, Drive							1	
			(ATTACHING PARTS)								
-41	AN565D6H2	.	SCREW							2	
			*---								
-42	31446-1	.	SHAFT							1	
-43	31423-1	.	CLAMP, Choke							1	
			(ATTACHING PARTS)								
-44	COMM	.	NUT, Hex steel Cd pl No. 8-32 NC-2							2	
-45	AN936B8	.	WASHER							2	
			*---								
-46	31409-1	.	CONTROL UNIT, Frequency (see fig. 5 for break-							1	
			down)								
			(ATTACHING PARTS)								
-47	COMM	.	SCREW, Binding hd steel Cd pl No. 8-32 NC-2 x							4	
			1/2 in. lg incl external tooth lock washer steel								
			Cd pl 0.317 OD x 0.024 in. thick								
			*---								
-48	33924-1	.	CAN, Shield							1	
-49	31436-1	.	WHEEL, Drive							1	
			(ATTACHING PARTS)								
-50	AN565D6H2	.	SCREW							2	
			*---								
-51	No Number	.	SWITCH, Rotary 1 section 2 position type F (OAK)							1	
-52	31447-1	.	FILTER ASSY (see fig. 6 for breakdown)							1	
			(ATTACHING PARTS)								
-53	COMM	.	SCREW, Binding hd steel Cd pl No. 10-32 NF-2 x							4	
			1/2 in. lg incl external tooth lock washer steel								
			Cd pl 0.408 OD x 0.024 in. thick								
			*---								
-54	350-2	.	BUTTON, Plug snap (SWLC)							10	
-55	31449-1	.	COVER, Spare fuse.							1	

PART NO.	DESCRIPTION							UNITS PER ASSY	USABLE ON CODE
	1	2	3	4	5	6	7		
CHASSIS AND PANEL ASSEMBLY (cont)									
(ATTACHING PARTS)									
31495-1	.							1	
1220-2	.							1	
-----*									
AGC 3/8	.							2	
MDL1-6/10	.							2	
33903-3	.							1	
breakdown)									
PANEL ASSEMBLY									
31238-1								Ref	
31454-1	.							1	
4903-2	.							1	
basic movement (BEI type 411)									
(ATTACHING PARTS)									
D-54108	.							1	
33908-1	.							1	
-----*									
31431-3	.							1	
(ATTACHING PARTS)									
COMM	.							1	
AN936A616	.							1	
-----*									
31444-1	.							1	
(ATTACHING PARTS)									
WA512	.							1	
-----*									
1561-1	.							1	
31445-3	.							1	
3143-2	.							1	
(ATTACHING PARTS)									
COMM	.							1	
AN936A616	.							1	
-----*									
31444-1	.							1	
(ATTACHING PARTS)									
WA512	.							1	
-----*									
1561-1	.							1	
31445-2	.							1	
31431-1	.							1	
(ATTACHING PARTS)									
COMM	.							1	
AN936A616	.							1	
-----*									
31444-1	.							1	
(ATTACHING PARTS)									
WA512	.							1	
-----*									

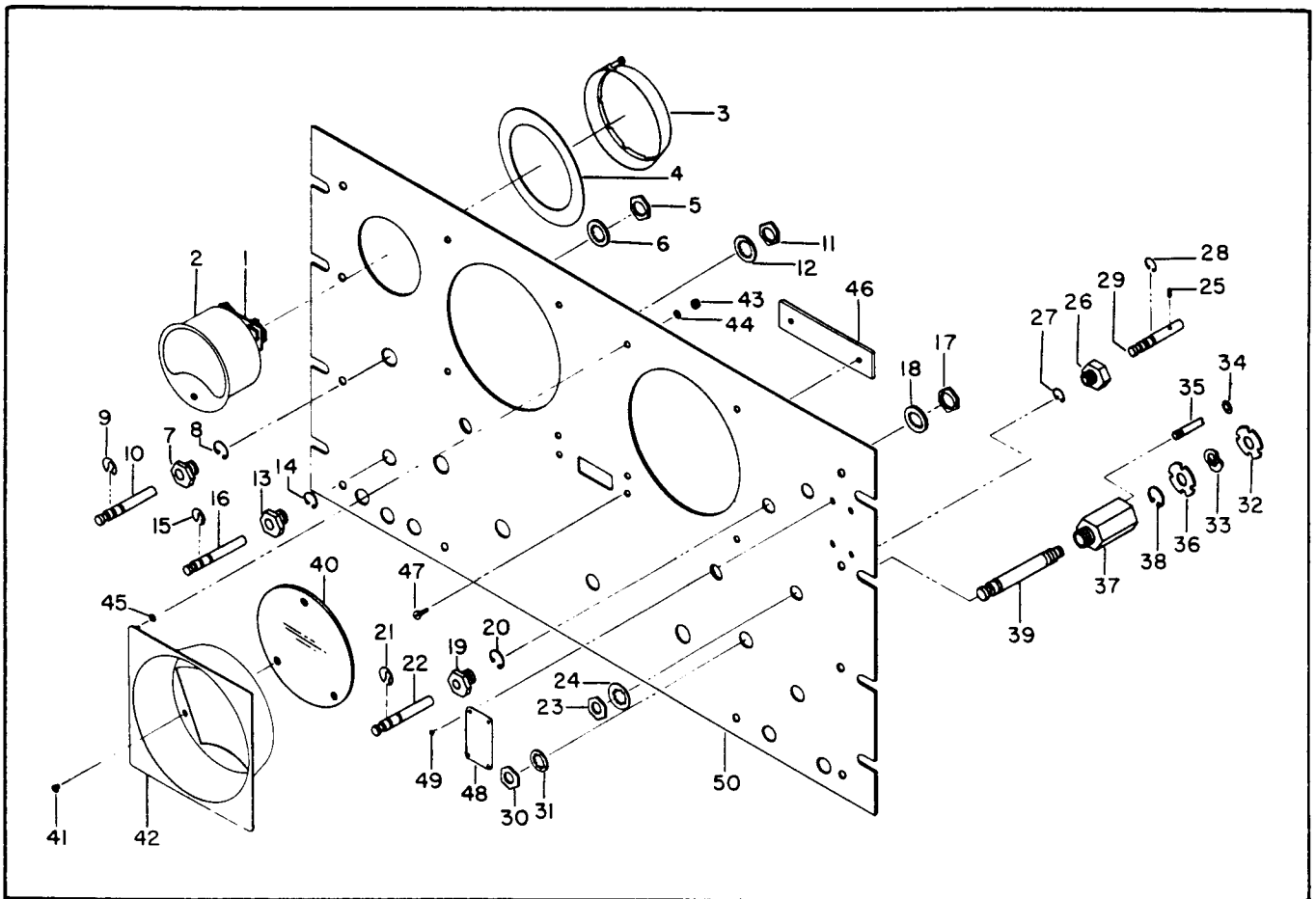


Figure 4. Panel Assembly

FIG. & INDEX NO.	PART NO.	DESCRIPTION	UNITS PER ASSY	USABLE ON CODE
		1 2 3 4 5 6 7		
PANEL ASSEMBLY (cont)				
4-21	156-1	WASHER, Tension	1	
-22	31445-1	SHAFT	1	
	31432-1	SHAFT AND BUSHING ASSY	1	
(ATTACHING PARTS)				
-23	COMM	NUT, Hex steel Cd pl 3/8 in.-32 NEF-2	1	
-24	AN936A616	WASHER	1	
---*---				
-25	COMM	PIN, Grooved CRES 1/16 dia x 3/8 in. lg (GVP)	1	
-26	31442-1	BUSHING	1	
(ATTACHING PARTS)				
-27	WA512	RING, Retaining (NL)	1	
---*---				
-28	1561-1	WASHER, Tension	1	
-29	31443-1	SHAFT	1	
	31460-1	TUNING LOCK ASSY	1	
(ATTACHING PARTS)				
-30	COMM	NUT, Hex steel Cd pl 3/8 in.-32 NEF-2	1	
-31	1220-2	WASHER, Internal tooth lock (SH)	1	
---*---				

PART NO.	DESCRIPTION							UNITS PER ASSY	USABLE ON CODE
	1	2	3	4	5	6	7		
PANEL ASSEMBLY (cont)									
19578-4	.	.	DISC, Lock	1	
3502-10-1	.	.	WASHER, Bent spring (SH)	1	
COMM	.	.	WASHER, Flat brs Cd pl 1/4 OD x 0.128 ID x 0.031 in. thick	1	
19580-1	.	.	PIN, Lock	1	
19578-3	.	.	DISC, Lock	1	
31459-1	.	.	BEARING, Lock	1	
(ATTACHING PARTS)									
WA512	.	.	RING, Retaining (NL)	2	
-----*									
31458-1	.	.	SHAFT, Lock	1	
31281-1	.	.	WINDOW, Dial	2	
(ATTACHING PARTS)									
COMM	.	.	SCREW, Binding hd phillips steel rustproof No. 4-40 NC-2 x 1/8 in. lg	6	
-----*									
31283-1	.	.	ESCUTCHEON	2	
(ATTACHING PARTS)									
COMM	.	.	NUT, Hex steel Cd pl No. 4-40 NC-2	8	
AN936A4	.	.	WASHER	8	
10002-4	.	.	WASHER, Insulating	8	
-----*									
31282-1	.	.	WINDOW	1	
(ATTACHING PARTS)									
COMM	.	.	SCREW, Binding hd phillips steel rustproof No. 4-40 NC-2 x 1/4 in. lg	2	
-----*									
31463-1	.	.	LABEL, Frequency control	1	
(ATTACHING PARTS)									
COMM	.	.	SCREW, Rd hd phillips steel Cd pl No. 2-56 NC-2 x 5/32 in. lg	4	
-----*									
31219-3	.	.	PANEL	1	
FREQUENCY CONTROL UNIT									
31409-1	.	.	CONTROL UNIT, Frequency (see fig. 3-46 for next higher assy)	Ref	
JAN6AC7	.	.	TUBE, Electron (MIL-E-1B)	1	
CC21UJ120J	.	.	CAPACITOR, Fixed ceramic dielectric (MIL-C-20)	1	
31411-1	.	.	COVER	1	
(ATTACHING PARTS)									
COMM	.	.	SCREW, Binding hd steel Cd pl No. 4-40 NC-2 x 1/4 in. lg incl external tooth lock washer steel Cd pl 0.254 OD x 0.019 in. thick	12	
-----*									
31275-1	.	.	COUPLER ASSY, Shaft	1	
AN565D8H3	.	.	SCREW	4	
3901-2	.	.	COUPLING, Shaft	1	
31419-2	.	.	POST, Mounting	1	
31419-1	.	.	POST, Mounting	3	

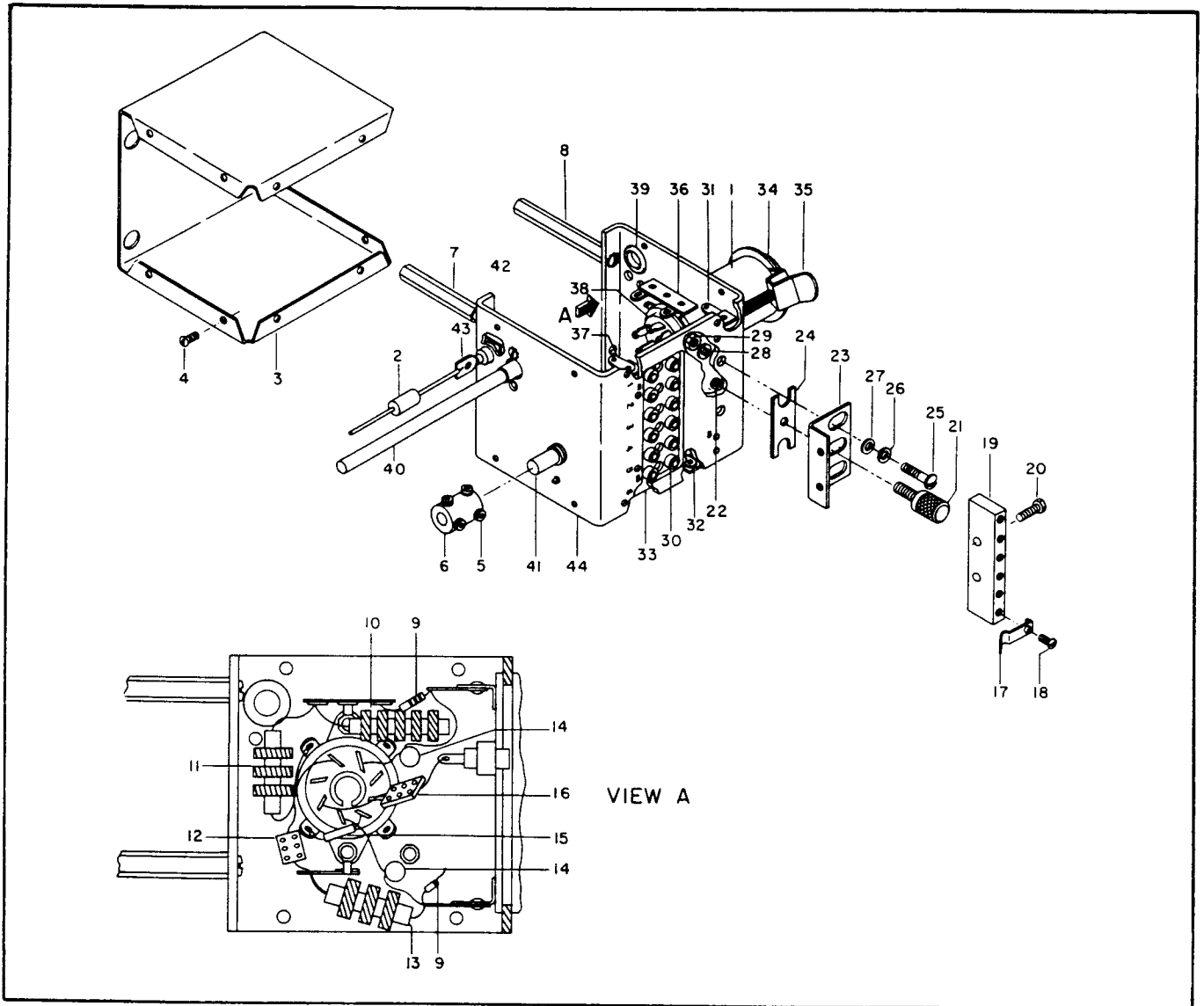


Figure 5. Frequency Control Unit

FIG. & INDEX NO.	PART NO.	DESCRIPTION							UNITS PER ASSY	USABLE ON CODE
		1	2	3	4	5	6	7		
FREQUENCY CONTROL UNIT (cont)										
(ATTACHING PARTS)										
5-	COMM	.	SCREW, Binding hd steel Cd pl No. 6-32 NC-2 x	.	5/16 in. lg incl external tooth lock washer	.	steel Cd pl 0.270 OD x 0.021 in. thick	4		
---*---										
-9	RC20BF181K	.	RESISTOR, Fixed composition (MIL-R-11A)	.		.		2		
-10	4540	.	COIL, Radio frequency 10 mh (MLR)	.		.		1		
-11	15617-1	.	COIL, Radio frequency 1 mh.	.		.		1		
-12	CM15C390J	.	CAPACITOR, Fixed mica dielectric (MIL-C-5A)	.		.		1		
-13	4541	.	COIL, Radio frequency 25 mh (MLR)	.		.		1		
-14	No Number	.	CAPACITOR, Fixed ceramic dielectric 10,000 uuf	.		.	1000 v DC working type B (RAMT)	2		
-15	RC20BF473K	.	RESISTOR, Fixed composition (MIL-R-11A)	.		.		1		
-16	CM30E222J	.	CAPACITOR, Fixed mica dielectric (MIL-C-5A)	.		.		1		
-17	31417-1	.	SPRING.	.		.		6		

PART NO.	1	2	3	4	5	6	7	DESCRIPTION	UNITS PER ASSY	USABLE ON CODE
FREQUENCY CONTROL UNIT (cont)										
(ATTACHING PARTS)										
COMM	.							SCREW, Rd hd steel Cd pl No. 4-40 NC-2 x 1/4 in. lg incl internal tooth lock washer steel Cd pl 0.20 OD x 0.019 in. thick	6	
3145-1	.							SUPPORT, Spring	1	
(ATTACHING PARTS)										
COMM	.							SCREW, Binding hd steel Cd pl No. 6-32 NC-2 x 3/8 in. lg incl external tooth lock washer steel Cd pl 0.270 OD x 0.021 in. thick	2	
31413-1	.							SCREW, Thumb	1	
(ATTACHING PARTS)										
WA510	.							RING, Retaining (NL)	1	
31416-1	.							BRACKET, Slide	1	
31414-1	.							NUT, Plate	1	
(ATTACHING PARTS)										
COMM	.							SCREW, Binding hd brs Cd pl No. 8-32 NC-2 x 5/8 in. lg	2	
COMM	.							WASHER, Flat steel Cd pl 3/8 OD x 11/64 ID x 1/32 in. thick	4	
31418-1	.							WASHER, Spacer	4	
AN936A8	.							WASHER	2	
COMM	.							NUT, Hex steel Cd pl No. 8-32 NC-2	2	
9748-1	.							SOCKET, Crystal (EBY)	6	
(ATTACHING PARTS)										
AN505-4-7	.							SCREW	6	
10002-16	.							WASHER, Insulating	6	
AN936A4	.							WASHER	6	
COMM	.							NUT, Hex steel Cd pl No. 4-40 NC-2	6	
T-2-5	.							STRIP, Terminal (FNK)	1	
2423	.							STRIP, Terminal (ICA)	1	
31412-1	.							PLATE, Crystal mounting	1	
(ATTACHING PARTS)										
COMM	.							SCREW, Binding hd steel Cd pl No. 6-32 NC-2 x 1/4 in. lg incl external tooth lock washer steel Cd pl 0.270 OD x 0.021 in. thick	4	
AN936A6	.							WASHER	2	
16136-2	.							RETAINER, Electron tube	1	
2	.							HAT, Electron tube (TTE)	1	
25	.							POST, Threaded CRES No. 8-32 NC-2 x 2-5/8 in. lg (TTE)	1	
(ATTACHING PARTS)										
COMM	.							NUT, Hex steel nickel pl No. 8-32 NC-2	2	
COMM	.							WASHER, Internal tooth lock steel nickel pl for No. 8 screw	1	
1520	.							STRIP, Terminal (CIN)	1	
T-2-5	.							STRIP, Terminal (FNK)	1	
9859	.							SOCKET, Electron tube octal (CIN)	1	

FIG. & INDEX NO.	PART NO.	DESCRIPTION	UNITS PER ASSY	USABLE ON CODE
FREQUENCY CONTROL UNIT (cont)				
(ATTACHING PARTS)				
5-	COMM	. SCREW, Binding hd steel Cd pl No. 6-32 NC-2 x 5/16 in. lg	2	
	AN936B6	. WASHER	2	
	COMM	. NUT, Hex steel Cd pl No. 6-32 NC-2	2	
---*---				
-39	2666	. GROMMET (CAF)	1	
-40	11726-109	. CAPACITOR, Variable air dielectric plate meshing . . . type 75 uuf max	1	
(ATTACHING PARTS)				
	AN505-4-4	. SCREW	1	
	COMM	. SCREW, Binding hd steel Cd pl No. 4-40 NC-2 x 1/4 in. lg incl external tooth lock washer steel Cd pl 0.254 OD x 0.019 in. thick	1	
---*---				
-41	No Number	. SWITCH, Rotary 7 position 2 pole series 3227 type F (MAL)	1	
(ATTACHING PARTS)				
	COMM	. NUT, Hex steel Cd pl No. 3/8 in.-32 NEF-2	1	
---*---				
-42	31483-1	. PLATE, Mounting	1	
-43	31410-1	. TERMINAL, Feed thru (ELII)	1	
-44	31410-1	. BOX, Crystal	1	

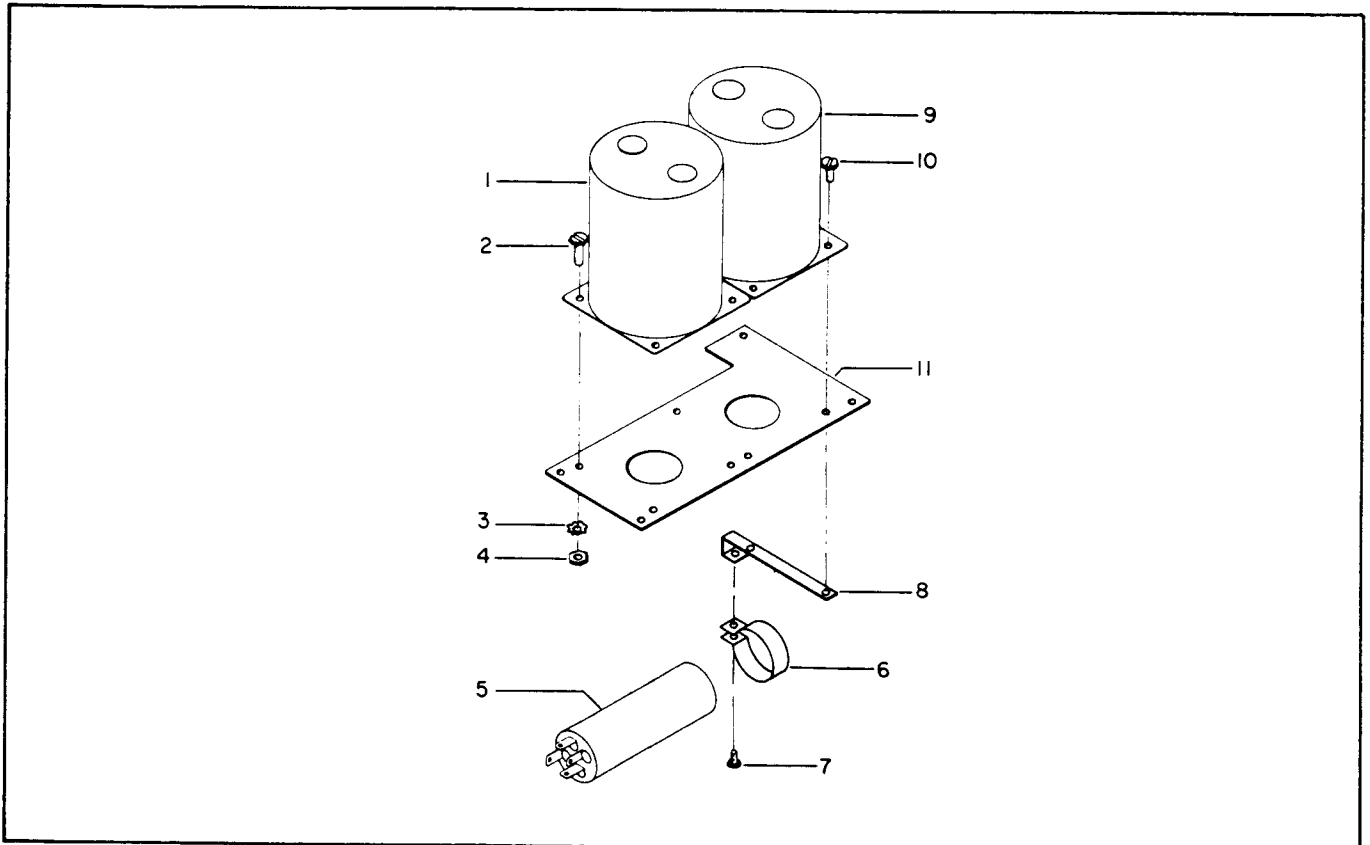


Figure 6. Filter Assembly

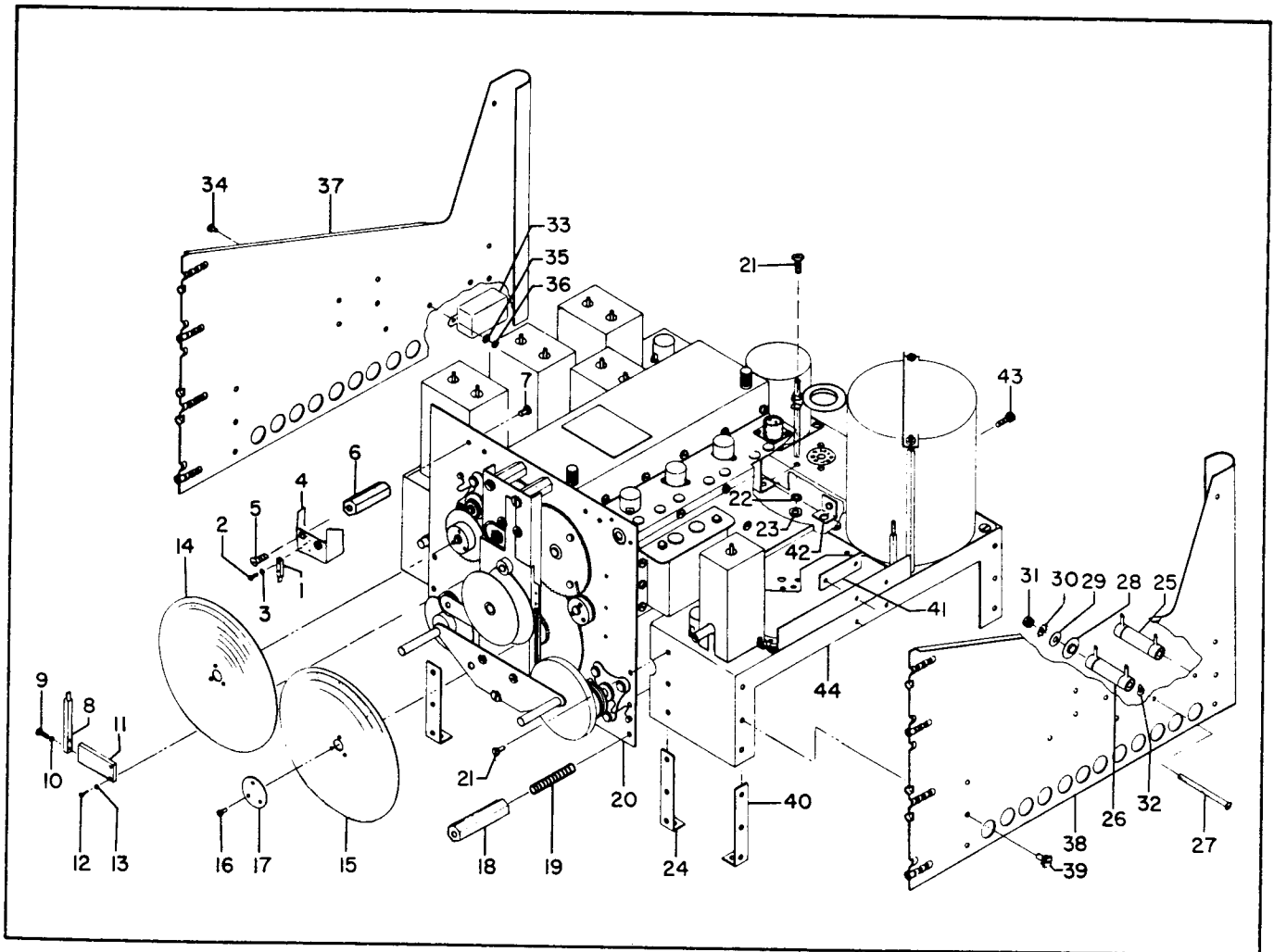


Figure 7. Chassis and Tuning Unit Assembly

FIG. & INDEX NO.	PART NO.	DESCRIPTION	UNITS PER ASSY	USABLE ON CODE
		1 2 3 4 5 6 7		
CHASSIS AND TUNING UNIT ASSEMBLY (cont)				
7-11	31185-1	. SUPPORT, Pointer	1	
		(ATTACHING PARTS)		
-12	AN515-2-4	. SCREW	2	
-13	AN936A2	. WASHER	2	
		-----*		
-14	31438-1	. DIAL, Main	1	
-15	31439-1	. DIAL, Band spread	1	
		(ATTACHING PARTS)		
-16	AN505-4-4	. SCREW	6	
-17	31083-1	. WASHER, Dial	2	
		-----*		
-18	31290-1	. POST, Spacer	2	
		(ATTACHING PARTS)		
-19	10010-19	. STUD, Threaded	2	
		-----*		
-20	31280-1	. TUNING UNIT ASSY (see fig. 8 for breakdown)	1	

PART NO.	DESCRIPTION							UNITS PER ASSY	USABLE ON CODE
	1	2	3	4	5	6	7		
CHASSIS AND TUNING UNIT ASSEMBLY (cont)									
(ATTACHING PARTS)									
COMM	.	SCREW, Binding hd steel Cd pl No. 10-32 NF-2 x 3/8 in. lg incl external tooth lock washer steel Cd pl 0.408 OD x 0.024 in. thick						5	
AN936A10	.	WASHER						1	
COMM	.	NUT, Hex steel Cd pl No. 10-32 NF-2						1	
---*---									
31143-1	.	PLATE, Nut						2	
No Number	.	RESISTOR, Fixed wirewound 7500 ohms ±10% 20W type FR20 (MODE)						1	
No Number	.	RESISTOR, Fixed wirewound 10,000 ohms ±10% 20W type FR20 (MODE)						1	
(ATTACHING PARTS)									
COMM	.	SCREW, Rd hd steel Cd pl No. 6-32 NC-2 x 2-3/8 in. lg						2	
P11003	.	WASHER, Cupped (MODE)						4	
10002-62	.	WASHER, Insulating						4	
AN936B6	.	WASHER						2	
COMM	.	NUT, Hex steel Cd pl No. 6-32 NC-2						2	
---*---									
2104-6	.	TERMINAL, Locking (SH)						2	
CP53B6EF503V	.	CAPACITOR, Fixed paper dielectric (MIL-C-25A)						1	
(ATTACHING PARTS)									
COMM	.	SCREW, Binding hd steel Cd pl No. 6-32 NC-2 x 5/16 in. lg incl external tooth lock washer steel Cd pl 0.270 OD x 0.021 in. thick						2	
AN936B6	.	WASHER						2	
COMM	.	NUT, Hex steel Cd pl No. 6-32 NC-2						2	
---*---									
31146-2	.	BRACKET, Left side						1	
31146-1	.	BRACKET, Right side						1	
(ATTACHING PARTS)									
COMM	.	SCREW, Binding hd steel Cd pl No. 10-32 NF-2 x 3/8 in. lg incl external tooth lock washer steel Cd pl 0.408 OD x 0.024 in. thick						18	
---*---									
31143-1	.	PLATE, Nut						4	
31142-1	.	PLATE, Nut						3	
31139-1	.	BRACKET						1	
(ATTACHING PARTS)									
COMM	.	SCREW, Binding hd steel Cd pl No. 6-32 NC-2 x 5/16 in. lg incl external tooth lock washer steel Cd pl 0.270 OD x 0.021 in. thick						1	
---*---									
33906-1	.	CHASSIS ASSY (see fig. 32 for breakdown)						1	
TUNING UNIT ASSEMBLY									
31280-1	.	TUNING UNIT ASSY (see fig. 7-20 for next higher assy)						Ref	
No Number	.	WRENCH, Hex socket No. 10 (ALN)						1	
No Number	.	WRENCH, Hex socket No. 8 (ALN)						1	
No Number	.	WRENCH, Hex socket No. 6 (ALN)						1	
103	.	CLIP (ZE)						1	
33	.	CLIP (BBR)						1	
31452-1	.	COVER ASSY, Shield cover w/nameplate						1	

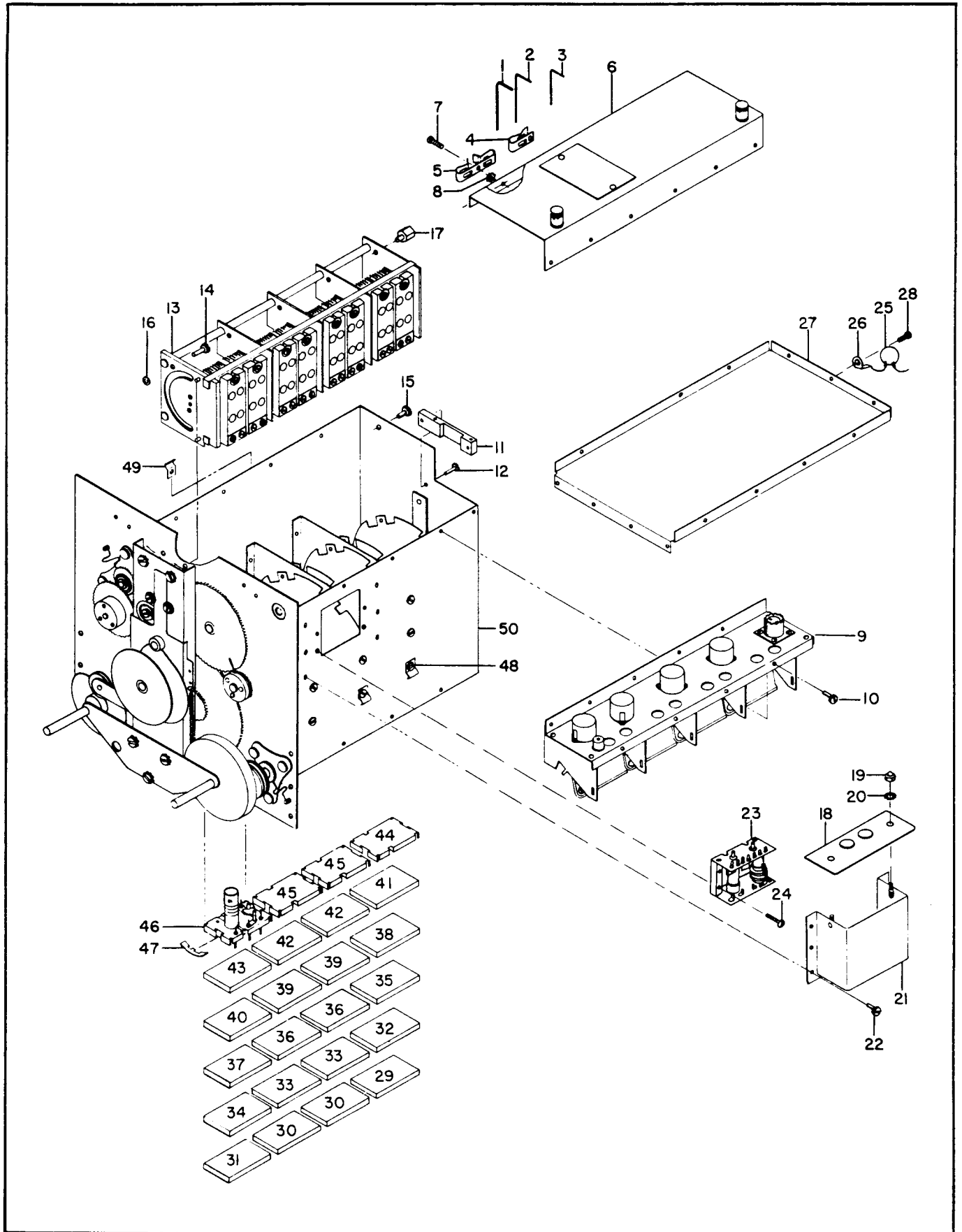


Figure 8. Tuning Unit Assembly

PART NO.	DESCRIPTION							UNITS PER ASSY	USABLE ON CODE
	1	2	3	4	5	6	7		
TUNING UNIT ASSEMBLY (cont)									
(ATTACHING PARTS)									
COMM	.	SCREW, Binding hd steel Cd pl No. 6-32 NC-2						10	
		x 1/4 in. lg incl external tooth lock washer							
		0.270 OD x 0.021 in. thick							
AN936A6	.	WASHER						2	
---*---									
31231-1	.	WIRING ASSY, Radio frequency (see fig. 9 for breakdown)						1	
(ATTACHING PARTS)									
COMM	.	SCREW, Binding hd steel Cd pl No. 6-32 NC-2						8	
		x 1/4 in. lg incl external tooth lock washer							
		steel Cd pl 0.270 OD x 0.021 in. thick							
---*---									
31155-1	.	PLATE, Nut						1	
(ATTACHING PARTS)									
COMM	.	SCREW, Binding hd steel Cd pl No. 6-32 NC-2						2	
		x 1/4 in. lg incl external tooth lock washer							
		steel Cd pl 0.270 OD x 0.021 in. thick							
---*---									
34001-1	.	CAPACITOR, Variable air dielectric 8 sections						1	
		12-155 uuf per section							
(ATTACHING PARTS)									
COMM	.	SCREW, Binding hd steel Cd pl No. 10-32 NF-2						1	
		x 1/4 in. lg incl external tooth lock washer							
		steel Cd pl 0.408 OD x 0.024 in. thick							
COMM	.	SCREW, Binding hd steel Cd pl No. 10-32 NF-2						1	
		x 1/2 in. lg incl external tooth lock washer							
		steel Cd pl 0.408 OD x 0.024 in. thick							
31119-1	.	SPACER						1	
---*---									
31129-1	.	STUD						1	
31376-1	.	PLATE, Shield						1	
(ATTACHING PARTS)									
10049-2	.	NUT, Hex cap						2	
AN936B6	.	WASHER						2	
---*---									
31378-1	.	SHIELD AND SPADE ASSY						1	
(ATTACHING PARTS)									
COMM	.	SCREW, Binding hd steel Cd pl No. 6-32 NC-2						6	
		x 1/4 in. lg incl external tooth lock washer							
		steel Cd pl 0.270 OD x 0.021 in. thick							
---*---									
31183-1	.	COIL ASSY, Mixer plate (see fig. 10 for breakdown)						1	
(ATTACHING PARTS)									
COMM	.	SCREW, Rd hd steel Cd pl No. 6-32 NC-2 x 5/8 in.						4	
		lg incl external tooth lock washer steel Cd							
		pl 0.270 OD x 0.021 in. thick							
---*---									
No Number	.	CAPACITOR, Fixed ceramic dielectric 10,000 uuf,						1	
		1000 v DC working type B (RAMT)							
2104-6	.	TERMINAL, Locking (SH)						1	
31128-1	.	COVER, Bottom						1	

FIG. & INDEX NO.	PART NO.	DESCRIPTION	UNITS PER ASSY	USABLE ON CODE
TUNING UNIT ASSEMBLY (cont)				
(ATTACHING PARTS)				
8-28	COMM	SCREW, Binding hd steel Cd pl No. 6-32 NC-2 x 1/4 in. lg incl external tooth lock washer steel Cd pl 0.270 OD x 0.021 in. thick	13	
----*----				
-29	31387-1	INPUT ASSY, RF 0.54 - 1.35 mc (see fig. 11 for breakdown)	1	
-30	31386-1	TRANSFORMER ASSY, RF 0.54 - 1.35 mc (see fig. 12 for breakdown)	2	
-31	31385-1	OSCILLATOR ASSY, HF 0.54 - 1.35 mc (see fig. 13 for breakdown)	1	
-32	31390-1	INPUT ASSY, RF 1.35 - 3.45 mc (see fig. 14 for breakdown)	1	
-33	31389-1	TRANSFORMER ASSY, RF 1.35 - 3.45 mc (see fig. 15 for breakdown)	2	
-34	31388-1	OSCILLATOR ASSY, HF 1.35 - 3.45 mc (see fig. 16 for breakdown)	1	
-35	31393-1	INPUT ASSY, RF 3.45 - 7.4 mc (see fig. 17 for breakdown)	1	
-36	31392-1	TRANSFORMER ASSY, RF 3.45 - 7.4 mc (see fig. 18 for breakdown)	2	
-37	31391-1	OSCILLATOR ASSY, HF 3.45 - 7.4 mc (see fig. 19 for breakdown)	1	
-38	31396-1	INPUT ASSY, RF 7.4 - 14.8 mc (see fig. 20 for breakdown)	1	
-39	31395-1	TRANSFORMER ASSY, RF 7.4 - 14.8 mc (see fig. 21 for breakdown)	2	
-40	31394-1	OSCILLATOR ASSY, HF 7.4 - 14.8 mc (see fig. 22 for breakdown)	1	
-41	31399-1	INPUT ASSY, RF 14.8 - 29.7 mc (see fig. 23 for breakdown)	1	
-42	31398-1	TRANSFORMER ASSY, RF 14.8 - 29.7 mc (see fig. 24 for breakdown)	2	
-43	31397-1	OSCILLATOR ASSY, HF 14.8 - 29.7 mc (see fig. 25 for breakdown)	1	
-44	31405-1	INPUT ASSY, RF 29.7 - 54 mc (see fig. 26 for breakdown)	1	
-45	31404-1	TRANSFORMER ASSY, RF 29.7 - 54 mc (see fig. 27 for breakdown)	2	
-46	31403-1	OSCILLATOR ASSY, HF 29.7 - 54 mc (see fig. 28 for breakdown)	1	
(ATTACHING PARTS)				
-47	31003-1	SPRING	48	
----*----				
-48	78	CLAMP, Cable (ZE)	4	
-49	139	CLAMP, Cable (ZE)	2	
-50	31291-1	GEAR TRAIN ASSY (see fig. 29 for breakdown)	1	
RADIO FREQUENCY WIRING ASSEMBLY				
9-	31231-1	WIRING ASSY, Radio frequency (see fig. 8-9 for next . . . higher assy)	Ref	
-1	RC20BF220K	RESISTOR, Fixed composition (MIL-R-11A)	2	
-2	CC21UJ050C	CAPACITOR, Fixed ceramic dielectric (MIL-C-20)	2	
	31234-1	BASE AND SPRING ASSY	4	
-3	31089-1	SPRING	6	

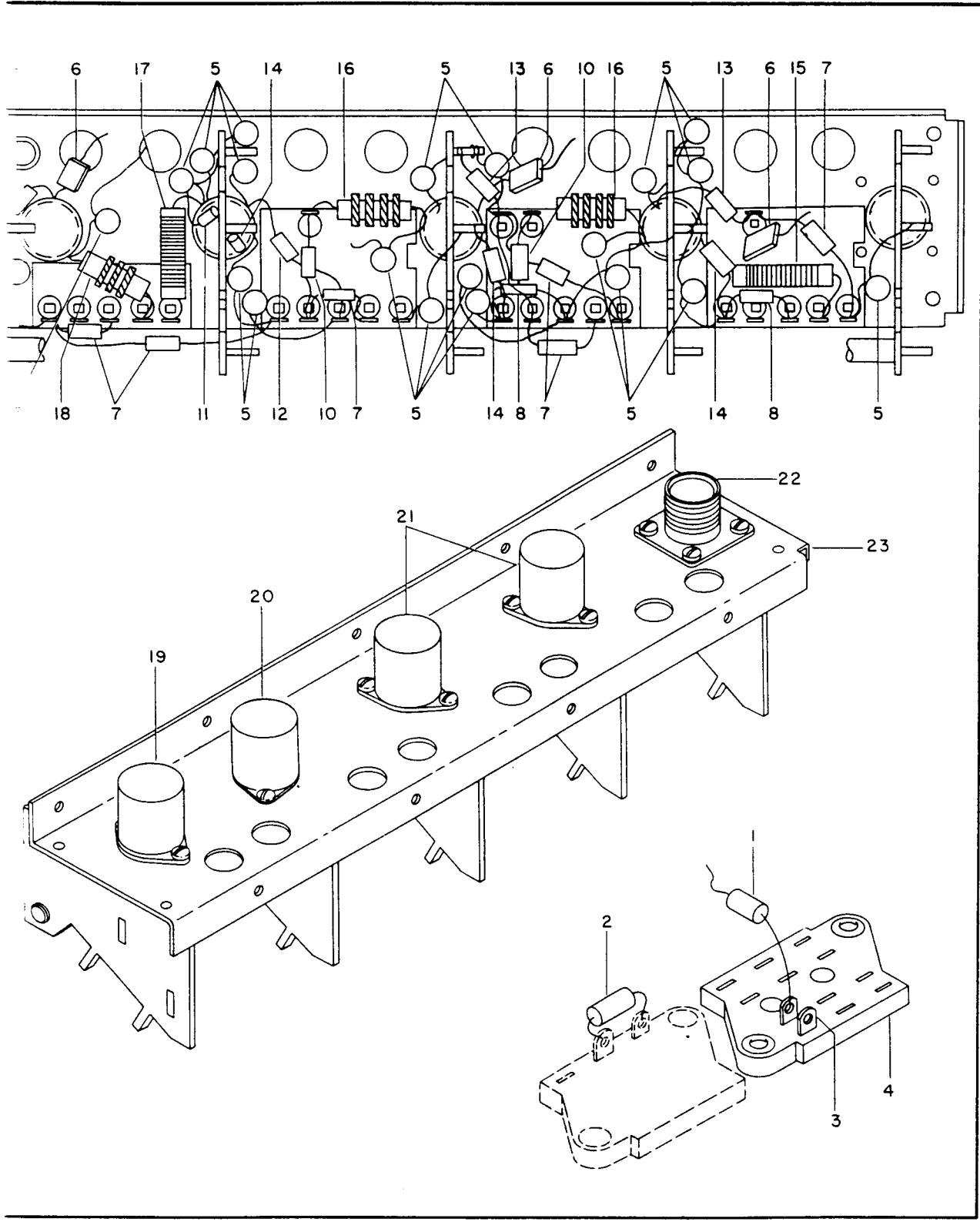


Figure 9. Radio Frequency Wiring Assembly

FIG. & INDEX NO.	PART NO.	DESCRIPTION	UNITS PER ASSY	USABLE ON CODE		
					1	2
RADIO FREQUENCY WIRING ASSEMBLY (cont)						
9-4	31203-1 BASE AND EYELET ASSY	1			
-5	No Number CAPACITOR, Fixed ceramic 10,000 uuf 1000 v DC working type B (RAMT)	21			
-6	CM15C101G CAPACITOR, Fixed mica dielectric (MIL-C-5A)	3			
-7	RC20BF102K RESISTOR, Fixed composition (MIL-R-11A)	6			
-8	RC20BF103J RESISTOR, Fixed composition (MIL-R-11A)	2			
-9	RC20BF473K RESISTOR, Fixed composition (MIL-R-11A)	1			
-10	RC20BF511J RESISTOR, Fixed composition (MIL-R-11A)	2			
-11	RC20BF151J RESISTOR, Fixed composition (MIL-R-11A)	1			
-12	RC20BF682K RESISTOR, Fixed composition (MIL-R-11A)	1			
-13	RC20BF333J RESISTOR, Fixed composition (MIL-R-11A)	2			
-14	No Number RESISTOR, Fixed composition 510,000 ohms \pm 5% 1/3 W type BTR (IRC)	3			
-15	15611-1 COIL, Radio frequency 22 uh	1			
-16	15612-1 COIL, Radio frequency 192 uh	2			
-17	15613-1 COIL, Radio frequency 26 uh	1			
-18	15627-1 COIL, Radio frequency 2.5 uh	1			
	31233-1 MOUNTING PLATE AND TERMINAL BOARD ASSY	1			
-19	No Number SOCKET, Electron tube (similar to JAN TS102C01 w/o center shield) (EBY)	1			
-20	TS102C01 SOCKET, Electron tube (JAN-S-28A)	1			
-21	TSE7T101 SOCKET, Electron tube (JAN-S-28A)	2			
22	UE-103/U CONNECTOR, Receptacle	1			
(ATTACHING PARTS)						
	COMM SCREW, Rd hd steel Cd pl No. 4-40 NC 2 x 1/4 in. lg incl internal tooth lock washer steel Cd pl 0.020 OD x 0.019 in. thick	12			
		-----*				
-23	*No Number MOUNTING PLATE AND TERMINAL BOARD SUB-ASSY	NP			
MIXER PLATE COIL ASSEMBLY						
10-	31183-1	COIL ASSY, Mixer plate (see fig. 8-23 for next higher assy)	Ref			
-1	No Number CAPACITOR, Fixed mica dielectric 85 uuf \pm 2 uuf 500 v DC (ELMP)	1			
-2	CM15C221G CAPACITOR, Fixed mica dielectric (MIL-C-5A)	1			
-3	RC20BF222K RESISTOR, Fixed composition (MIL-R-11A)	1			
-4	No Number CAPACITOR, Fixed ceramic dielectric 10,000 uuf 1000 v DC working type B (RAMT)	1			
-5	2104-6 TERMINAL, Locking	1			
-6	C7133B-632-012 NUT, Tension (TIN)	2			
-7	31181-1 TERMINAL STRIP AND LUG ASSY	1			
(ATTACHING PARTS)						
	COMM SCREW, Binding hd steel Cd pl No. 6-32 NC-2 x 1/4 in. lg incl external tooth lock washer steel Cd pl 0.270 OD x 0.021 in. thick	2			
		-----*				
-8	31103-1 COIL ASSY, IF 3955kc	1			
-9	31069-1 COIL ASSY, IF 455kc	1			

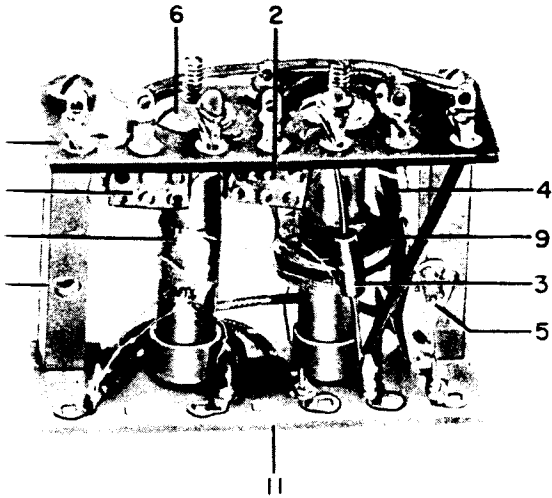


Figure 10. Mixer Plate Coil Assembly

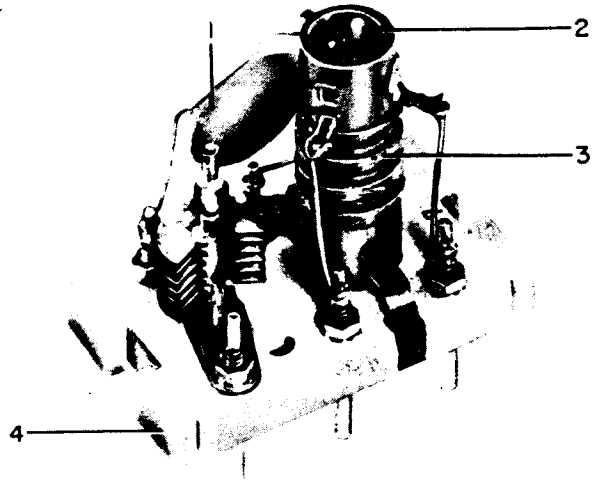


Figure 11. Radio Frequency Input Assembly,
 0.54 - 1.35 Mc

PART NO.	1	2	3	4	5	6	7	DESCRIPTION	UNITS PER ASSY	USABLE ON CODE
MIXER PLATE COIL ASSEMBLY (cont)										
(ATTACHING PARTS)										
COMM	.							SCREW, Binding hd steel Cd pl No. 6-32 NC-2 x 5/16 in. lg incl external tooth lock washer steel Cd pl 0.270 OD x 0.021 in. thick	2	
AN936B6	.							WASHER	2	
31179-1	.							POST	2	
(ATTACHING PARTS)										
COMM	.							SCREW, Binding hd steel Cd pl No. 6-32 NC-2 x 5/16 in. lg incl external tooth lock washer steel Cd pl 0.270 OD x 0.021 in. thick	2	
31182-1	.							TERMINAL STRIP AND LUG ASSY	1	
RADIO FREQUENCY INPUT ASSEMBLY 0.54 - 1.35 MC										
31387-1	.							INPUT ASSY, RF (0.54 - 1.35 mc) (fig. 8-29 for next higher assy)	Ref	
No Number	.							CAPACITOR, Fixed ceramic dielectric 10,000 uuf 1000 v DC working type B (RAMT)	1	
D-1	.							CORE, Inductance adjuster (CHL)	1	
(ATTACHING PARTS)										
C7133B-632-012	.							NUT, Tension (TIN)	1	
COMM	.							NUT, Hex steel Cd pl No. 6-32 NC-2	1	
31245-1	.							TRANSFORMER, RF	1	
(ATTACHING PARTS)										
31004-1	.							SPRING, Coil mounting	2	
31427-1	.							TRIMMER AND BASE ASSY	1	

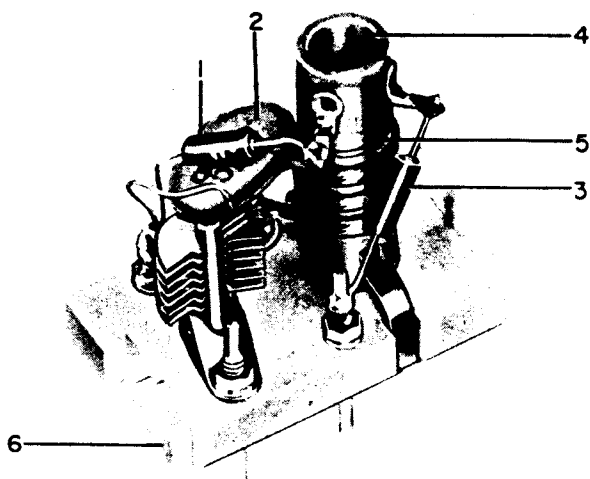


Figure 12. Radio Frequency Transformer Assembly,
0.54 - 1.35 Mc

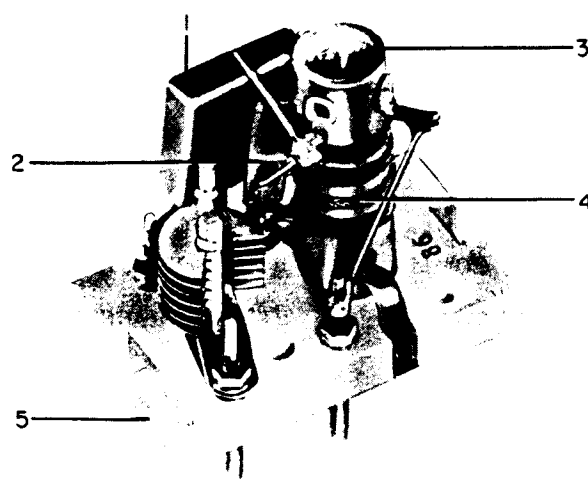


Figure 13. High Frequency Oscillator Assembly,
0.54 - 1.35 Mc

FIG. & INDEX NO.	PART NO.	1	2	3	4	5	6	7	DESCRIPTION	UNITS PER ASSY	USABLE ON CODE
RADIO FREQUENCY TRANSFORMER ASSEMBLY, 0.54 - 1.35 MC											
12-	31386-1								TRANSFORMER ASSY, RF (0.54 - 1.35 mc) (see fig. 8-30. . . for next higher assy)	Ref	
-1	RC20BF273K								. RESISTOR, Fixed composition (MIL-R-11A)	1	
-2	No Number								. CAPACITOR, Fixed ceramic dielectric 10,000 uuf 1000 v DC working type B (RAMT)	1	
-3	RC20BF510J								. RESISTOR, Fixed composition (MIL-R-11A)	1	
-4	D-1								. CORE, Inductance adjuster (CHL)	1	
									(ATTACHING PARTS)		
	C7133B-632-012 COMM								. NUT, Tension (TIN) NUT, Hex steel Cd pl No. 6-32 NC-2	1 1	
-5	31246-1								---*--- . TRANSFORMER, RF	1	
									(ATTACHING PARTS)		
	31004-1								. SPRING, Coil mounting	2	
-6	31428-1								---*--- . TRIMMER AND BASE ASSY	1	
HIGH FREQUENCY OSCILLATOR ASSEMBLY, 0.54 - 1.35 MC											
13-	31385-1								OSCILLATOR ASSY, HF (0.54 - 1.35 mc) (see fig. 8-31 . . . for next higher assy)	Ref	
-1	CM30C332G								. CAPACITOR, Fixed mica dielectric (MIL-C-5A)	1	
-2	No Number								. CAPACITOR, Fixed mica dielectric 404 uuf ± 1% 300 v DC (ELMP)	1	
-3	D-1								. CORE, Inductance adjuster (CHL)	1	

PART NO.	DESCRIPTION							UNITS PER ASSY	USABLE ON CODE		
	1	2	3	4	5	6	7				
HIGH FREQUENCY OSCILLATOR ASSEMBLY, 0.54 - 1.35 MC (cont)											
(ATTACHING PARTS)											
C7133B-632-012 COMM	.								NUT, Tension (TIN)	1	
	.								NUT, Hex steel Cd pl No. 6-32 NC-2	1	
	-----*										
31244-1	.								TRANSFORMER, RF	1	
(ATTACHING PARTS)											
31004-1	.								SPRING, Coil mounting	2	
	-----*										
31428-1	.								TRIMMER AND BASE ASSY	1	
RADIO FREQUENCY INPUT ASSEMBLY 1.35 - 3.45 MC											
31390-1									INPUT ASSY, RF (1.35 - 3.45 mc) (see fig. 8-32 for next higher assy)	Ref	
No Number	.								CAPACITOR, Fixed ceramic dielectric 10,000 uuf 1000 v DC working type B (RAMT)	1	
D-1	.								CORE, Inductance adjuster (CHL)	1	
(ATTACHING PARTS)											
C7133B-632-012 COMM	.								NUT, Tension (TIN)	1	
	.								NUT, Hex steel Cd pl No. 6-32 NC-2	1	
	-----*										
31249-1	.								TRANSFORMER, RF	1	
(ATTACHING PARTS)											
31004-1	.								SPRING, Coil mounting	2	
	-----*										
31427-1	.								TRIMMER AND BASE ASSY	1	

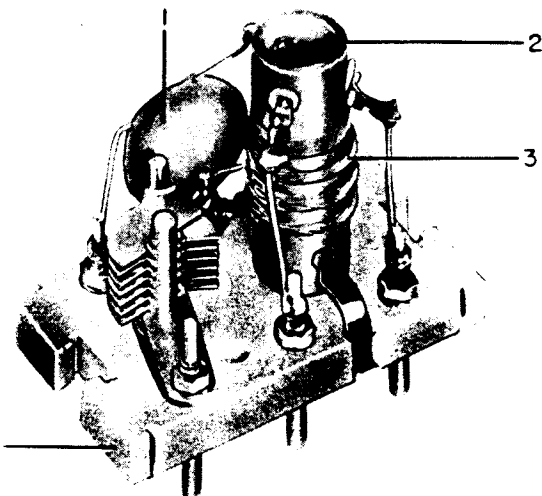


Figure 14. Radio Frequency Input Assembly,
1.35 - 3.45 Mc

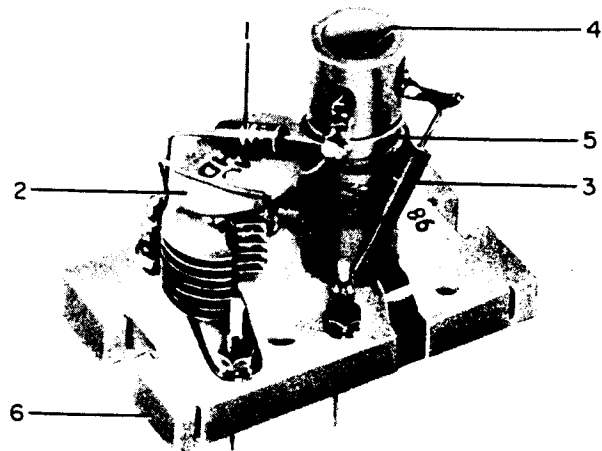


Figure 15. Radio Frequency Transformer Assembly,
1.35 - 3.45 Mc

FIG. & INDEX NO.	PART NO.	DESCRIPTION	UNITS PER ASSY	USABLE ON CODE
RADIO FREQUENCY TRANSFORMER ASSEMBLY, 1.35 - 3.45 MC				
15-	31389-1	TRANSFORMER ASSY, RF (1.35 - 3.45 mc) (see fig. 8-33. for next higher assy)	Ref	
-1	RC20BF273K	. RESISTOR, Fixed composition (MIL-R-11A)	1	
-2	No Number	. CAPACITOR, Fixed ceramic dielectric 10,000 uuf 1000 v DC working type B (RAMT)	1	
-3	RC20BF510J	. RESISTOR, Fixed composition (MIL-R-11A)	1	
-4	D-1	. CORE, Inductance adjuster (CHL)	1	
		(ATTACHING PARTS)		
	C7133B-632-012 COMM	. NUT, Tension (TIN) NUT, Hex steel Cd pl No. 6-32 NC-2	1 1	
-5	31250-1	. TRANSFORMER, RF	1	
		(ATTACHING PARTS)		
	31004-1	. SPRING, Coil mounting	2	
-6	31428-1	. TRIMMER AND BASE ASSY	1	
HIGH FREQUENCY OSCILLATOR ASSEMBLY 1.35 - 3.45 MC				
16-	31388-1	OSCILLATOR ASSY, HF (1.35 - 3.45 mc) (see fig. 8-34 for next higher assy)	Ref	
-1	No Number	. CAPACITOR, Fixed mica dielectric 810 uuf ± 1% 500 v DC (ELMP)	1	
-2	D-1	. CORE, Inductance adjuster (CHL)	1	
		(ATTACHING PARTS)		
	C7133B-632-012 COMM	. NUT, Tension (TIN) NUT, Hex steel Cd pl No. 6-32 NC-2	1 1	
-3	31248-1	. TRANSFORMER, RF	1	
		(ATTACHING PARTS)		
	31004-1	. SPRING, Coil mounting	2	
-4	31430-1	. TRIMMER AND BASE ASSY	1	

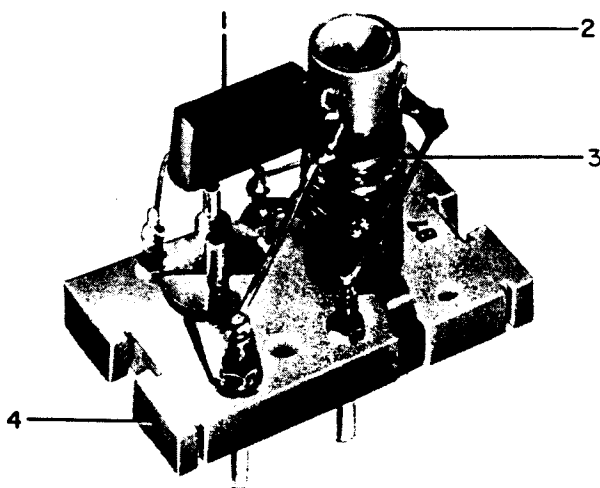


Figure 16. High Frequency Oscillator Assembly,
1.35 - 3.45 Mc

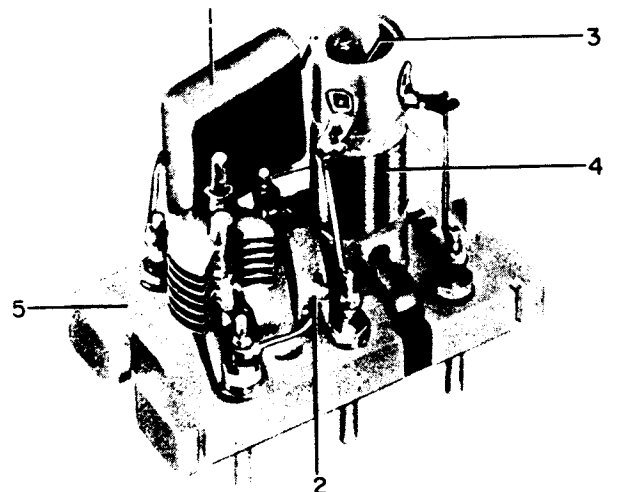


Figure 17. Radio Frequency Input Assembly,
3.45 - 7.4 Mc

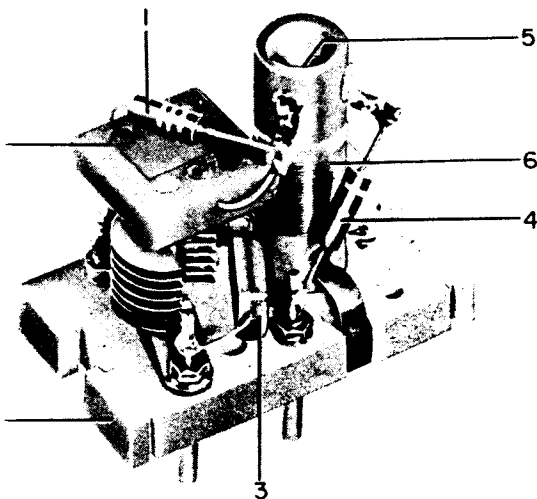
PART NO.	DESCRIPTION							UNITS PER ASSY	USABLE ON CODE
	1	2	3	4	5	6	7		

RADIO FREQUENCY INPUT ASSEMBLY, 3.45 - 7.4 MC

31393-1	INPUT ASSY, RF (3.45 - 7.4 mc) (see fig. 8-35 for next higher assy)							Ref	
CM30C242J	.	CAPACITOR, Fixed mica dielectric (MIL-C-5A)						1	
CM15C200J	.	CAPACITOR, Fixed mica dielectric (MIL-C-5A)						1	
D-1	.	CORE, Inductance adjuster (CHL)						1	
(ATTACHING PARTS)									
C7133B-632-012	.	NUT, Tension (TIN)						1	
COMM	.	NUT, Hex steel Cd pl No. 6-32 NC-2						1	
---*---									
31252-1	.	TRANSFORMER, RF.						1	
(ATTACHING PARTS)									
31004-1	.	SPRING, Coil mounting						2	
---*---									
31427-1	.	TRIMMER AND BASE ASSY						1	

RADIO FREQUENCY TRANSFORMER ASSEMBLY,
 3.45 - 7.4 MC

31392-1	TRANSFORMER ASSY, RF (3.45 - 7.4 mc) (see fig. 8-36 for next higher assy)							Ref	
RC20BF273K	.	RESISTOR, Fixed composition (MIL-R-11A)						1	
CM30C242J	.	CAPACITOR, Fixed mica dielectric (MIL-C-5A)						1	



18. Radio Frequency Transformer Assembly,
 3.45 - 7.4 Mc

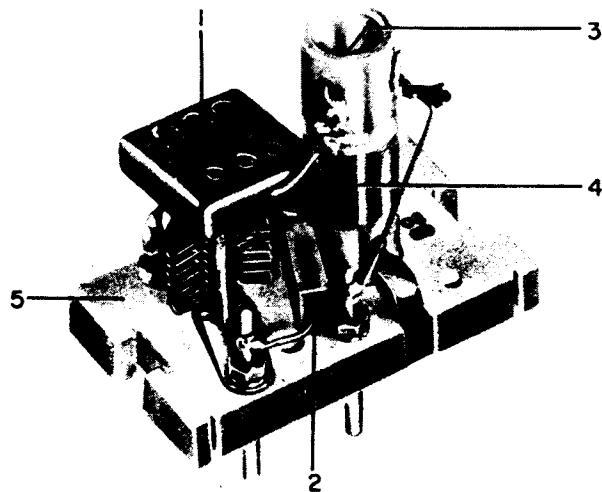


Figure 19. High Frequency Oscillator Assembly,
 3.45 - 7.4 Mc

FIG. & INDEX NO.	PART NO.	DESCRIPTION	UNITS PER ASSY	USABLE ON CODE
		1 2 3 4 5 6 7		
RADIO FREQUENCY TRANSFORMER ASSEMBLY, 3.45 - 7.4 MC (cont)				
18-3	CM15C200J	. CAPACITOR, Fixed mica dielectric (MIL-C-5A)	1	
-4	RC20BF240J	. RESISTOR, Fixed composition (MIL-R-11A)	1	
-5	D-1	. CORE, Inductance adjuster (CHL)	1	
(ATTACHING PARTS)				
	C7133B-632-012	. NUT, Tension (TIN)	1	
	COMM	. NUT, Hex steel Cd pl No. 6-32 NC-2	1	
		-----*		
-6	31253-1	. TRANSFORMER, RF	1	
(ATTACHING PARTS)				
	31004-1	. SPRING, Coil mounting	2	
		-----*		
-7	31428-1	. TRIMMER AND BASE ASSY	1	
HIGH FREQUENCY OSCILLATOR ASSEMBLY, 3.45 - 7.4 MC				
19-	31391-1	OSCILLATOR ASSY, JF (3.45 - 7.4 mc) (see fig. 8-37. for next higher assy)	Ref	
-1	CM30C122G	. CAPACITOR, Fixed mica dielectric (MIL-C-5A)	1	
-2	CM15B100K	. CAPACITOR, Fixed mica dielectric (MIL-C-5A)	1	
-3	D-1	. CORE, Inductance adjuster (CHL)	1	
(ATTACHING PARTS)				
	C7133B-632-012	. NUT, Tension (TIN)	1	
	COMM	. NUT, Hex steel Cd pl No. 6-32 NC-2	1	
		-----*		
-4	31251-1	. TRANSFORMER, RF	1	
(ATTACHING PARTS)				
	31004-1	. SPRING, Coil mounting	2	
		-----*		
-5	31428-1	. TRIMMER AND BASE ASSY	1	
RADIO FREQUENCY INPUT ASSEMBLY, 7.4 - 14.8 MC				
20-	31396-1	INPUT ASSY, RF (7.4 - 14.8 mc) (see fig. 8-38 for next higher assy)	Ref	
-1	CM30C152G	. CAPACITOR, Fixed mica dielectric (MIL-C-5A)	1	
-2	CM15C330J	. CAPACITOR, Fixed mica dielectric (MIL-C-5A)	1	
-3	D-1	. CORE, Inductance adjuster (CHL)	1	

PART NO.	DESCRIPTION							UNITS PER ASSY	USABLE ON CODE
	1	2	3	4	5	6	7		
RADIO FREQUENCY INPUT ASSEMBLY, 7.4 - 14.8 MC (cont)									
(ATTACHING PARTS)									
C7133B-632-012	.	NUT, Tension (TIN)						1	
COMM	.	NUT, Hex steel Cd pl No. 6-32 NC-2						1	
---*---									
31255-1	.	TRANSFORMER, RF						1	
(ATTACHING PARTS)									
31004-1	.	SPRING, Coil mounting						2	
---*---									
31427-1	.	TRIMMER AND BASE ASSY						1	
RADIO FREQUENCY TRANSFORMER ASSEMBLY, 7.4 - 14.8 MC									
31395-1		TRANSFORMER ASSY, RF (7.4 - 14.8 mc) (see fig. 8-39						Ref	
for next higher assy)									
RC20BF273K	.	RESISTOR, Fixed composition						1	
CM30C152G	.	CAPACITOR, Fixed mica dielectric (MIL-C-5A)						1	
CM15C330J	.	CAPACITOR, Fixed mica dielectric (MIL-C-5A)						1	
RC20BF220K	.	RESISTOR, Fixed composition (MIL-R-11A)						1	
D-1	.	CORE, Inductance adjuster (CHL)						1	
(ATTACHING PARTS)									
C7133B-632-012	.	NUT, Tension (TIN)						1	
COMM	.	NUT, Hex steel Cd pl No. 6-32 NC-2						1	
---*---									
31256-1	.	TRANSFORMER, RF						1	
(ATTACHING PARTS)									
31004-1	.	SPRING, Coil mounting						2	
---*---									
31428-1	.	TRIMMER AND BASE ASSY						1	

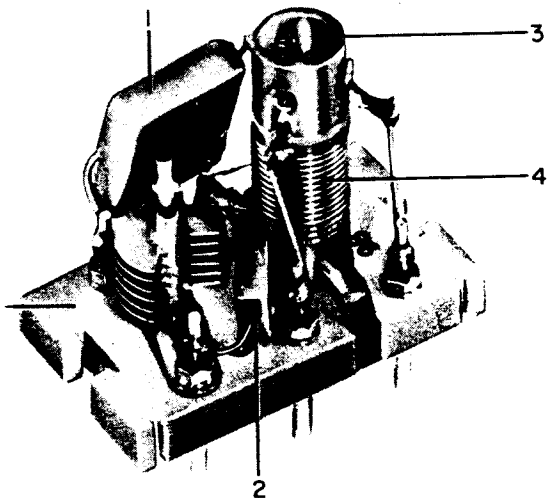


Figure 20. Radio Frequency Input Assembly,
7.4 - 14.8 Mc

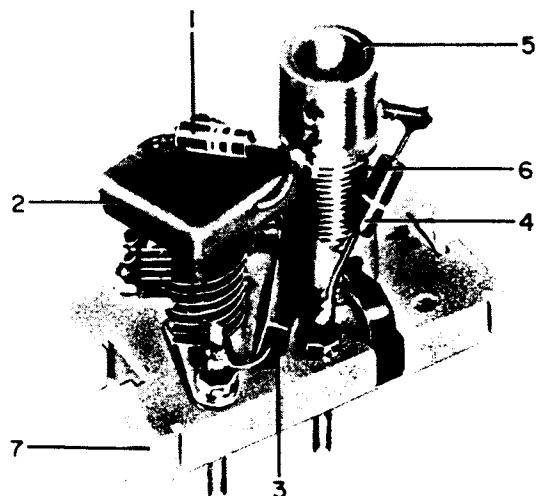


Figure 21. Radio Frequency Transformer Assembly,
7.4 - 14.8 Mc

FIG. & INDEX NO.	PART NO.	DESCRIPTION							UNITS PER ASSY	USABLE ON CODE
		1	2	3	4	5	6	7		
HIGH FREQUENCY OSCILLATOR ASSEMBLY, 7.4 - 14.8 MC										
22-	31394-1	OSCILLATOR ASSY, HF (7.4 - 14.8 mc) (see fig. 8-40 . . . for next higher assy)							Ref	
-1	CM15C121G	. CAPACITOR, Fixed mica dielectric (MIL-C-5A)							1	
-2	CC21UJ120J	. CAPACITOR, Fixed ceramic dielectric (MIL-C-20A) . . .							1	
-3	No Number	. CAPACITOR, Fixed mica dielectric 190 uuf ± 1%							1	
		500 v DC (ELMP)								
-4	D-1	. CORE, Inductance adjuster (CHL)							1	
(ATTACHING PARTS)										
	C7133B-632-012	. NUT, Tension (TIN)							1	
	COMM	. NUT, Hex steel Cd pl No. 6-32 NC-2							1	
		---*---								
-5	31254-1	. COIL, RF							1	
(ATTACHING PARTS)										
	31004-1	. SPRING, Coil mounting							2	
		---*---								
-6	31430-1	. TRIMMER AND BASE ASSY							1	

RADIO FREQUENCY INPUT ASSEMBLY, 14.8 - 29.7 MC										
23-	31399-1	INPUT ASSY, RF (14.8 - 29.7 mc) (see fig. 8-41 for next higher assy)							Ref	
-1	CM30C102G	. CAPACITOR, Fixed mica dielectric (MIL-C-5A)							1	
-2	CC20CJ070F	. CAPACITOR, Fixed ceramic dielectric (MIL-C-20A) . . .							1	
-3	D-1	. CORE, Inductance adjuster (CHL)							1	
(ATTACHING PARTS)										
	C7133B-632-012	. NUT, Tension (TIN)							1	
	COMM	. NUT, Hex steel Cd pl No. 6-32 NC-2							1	
		---*---								

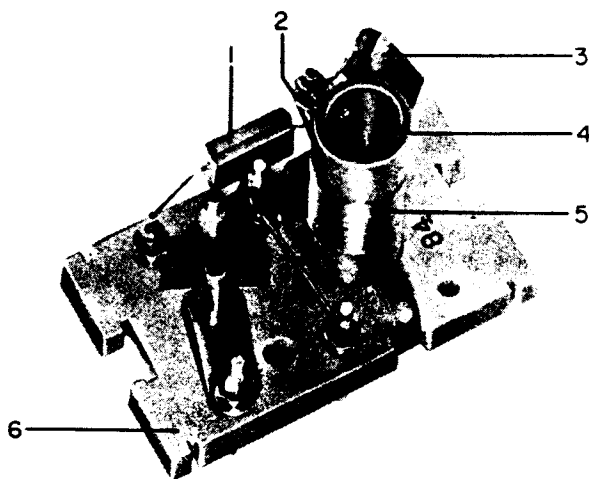


Figure 22. High Frequency Oscillator Assembly, 7.4 - 14.8 Mc

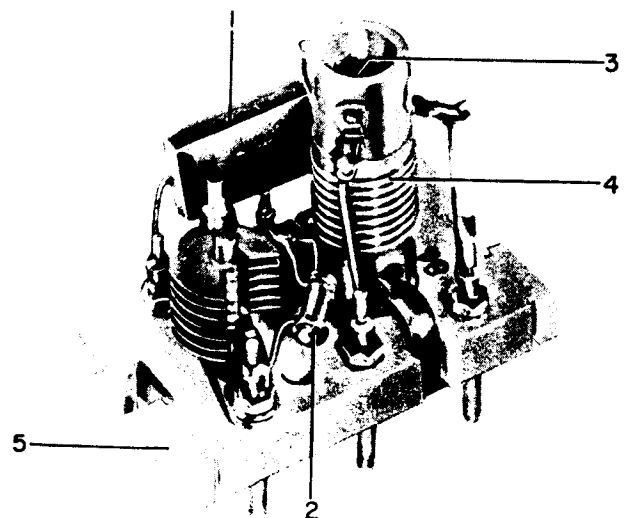
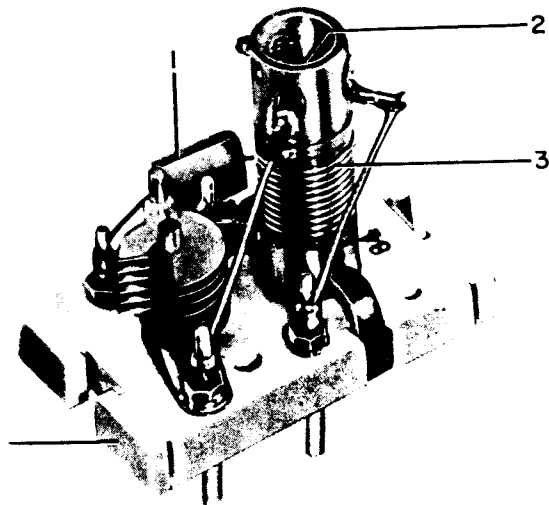


Figure 23. Radio Frequency Input Assembly, 14.8 - 29.7 Mc

PART NO.	DESCRIPTION							UNITS PER ASSY	USABLE ON CODE	
	1	2	3	4	5	6	7			
RADIO FREQUENCY INPUT ASSEMBLY, 14.8 - 29.7 MC (cont)										
31258-1	.							TRANSFORMER, RF	1	
(ATTACHING PARTS)										
31004-1	.							SPRING, Coil mounting	2	
---*---										
31429-1	.							TRIMMER AND BASE ASSY	1	
RADIO FREQUENCY TRANSFORMER ASSEMBLY, 14.8 - 29.7 MC										
31398-1								TRANSFORMER ASSY, RF (14.8 - 29.7 mc) (see fig. 8-42 for next higher assy)	Ref	
CM15C101G	.							CAPACITOR, Fixed mica dielectric (MIL-C-5A)	1	
D-1	.							CORE, Inductance adjuster (CHL)	1	
(ATTACHING PARTS)										
C7133B-632-012	.							NUT, Tension (TIN)	1	
COMM	.							NUT, Hex steel Cd pl No. 6-32 NC-2	1	
---*---										
31259-1	.							TRANSFORMER, RF	1	
(ATTACHING PARTS)										
31004-1	.							SPRING, Coil mounting	2	
---*---										
31428-1	.							TRIMMER AND BASE ASSY	1	
HIGH FREQUENCY OSCILLATOR ASSEMBLY, 14.8 - 29.7 MC										
31397-1								OSCILLATOR ASSY, HF (14.8 - 29.7 mc) (see fig. 8-43 for next higher assy)	Ref	
CM20C101G	.							CAPACITOR, Fixed mica dielectric (MIL-C-5A)	1	
CC21UJ510F	.							CAPACITOR, Fixed ceramic dielectric (MIL-C-20A)	1	



24. Radio Frequency Transformer Assembly,
14.8 - 29.7 Mc

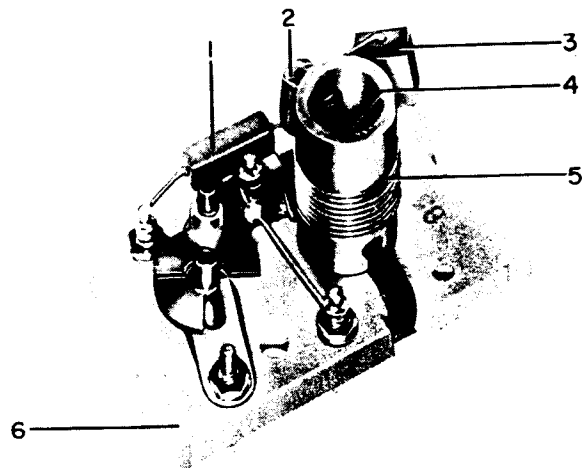


Figure 25. High Frequency Oscillator Assembly,
14.8 - 29.7 Mc

FIG. & INDEX NO.	PART NO.	DESCRIPTION							UNITS PER ASSY	USABLE ON CODE
		1	2	3	4	5	6	7		
HIGH FREQUENCY OSCILLATOR ASSEMBLY, 14.8 - 29.7 MC (cont)										
25-3	No Number	.	CAPACITOR, Fixed mica dielectric 379 uuf ± 1%						1	
		.	500 v DC (ELMP)							
-4	D-1	.	CORE, Inductance adjuster (CHL)						1	
			(ATTACHING PARTS)							
	C7133B-632-012 COMM	.	NUT, Tension (TIN)						1	
		.	NUT, Hex steel Cd pl No. 6-32 NC-2						1	
			*-----							
-5	31257-1	.	COIL, RF						1	
			(ATTACHING PARTS)							
	31004-1	.	SPRING, Coil mounting						2	
			*-----							
-6	31430-1	.	TRIMMER AND BASE ASSY						1	
RADIO FREQUENCY INPUT ASSEMBLY, 29.7 - 54.0 MC										
26-	31405-1		INPUT ASSY, RF (29.7 - 54.0 mc) (see fig. 8-44 for						Ref	
			next higher assy)							
-1	CM30C152G	.	CAPACITOR, Fixed mica dielectric (MIL-C-5A)						1	
-2	CC20HJ150J	.	CAPACITOR, Fixed ceramic dielectric (MIL-C-20A)						1	
-3	D-1	.	CORE, Inductance adjuster (CHL)						1	
			(ATTACHING PARTS)							
	C7133B-632-012 COMM	.	NUT, Tension (TIN)						1	
		.	NUT, Hex steel Cd pl No. 6-32 NC-2						1	
			*-----							
-4	31261-1	.	TRANSFORMER, RF						1	
			(ATTACHING PARTS)							
	31004-1	.	SPRING, Coil mounting						2	
			*-----							
-5	31429-1	.	TRIMMER AND BASE ASSY						1	

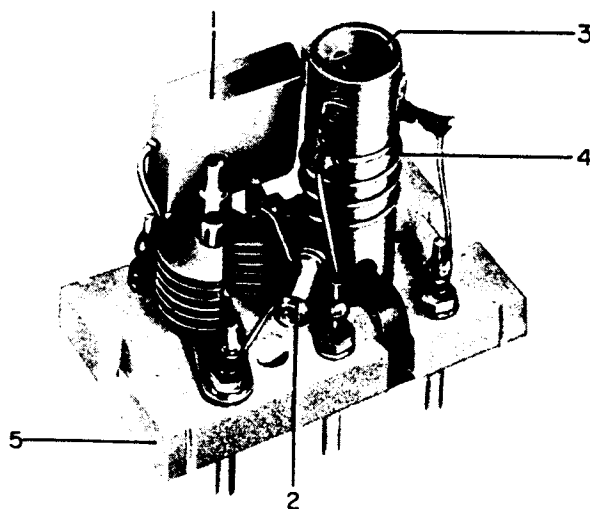
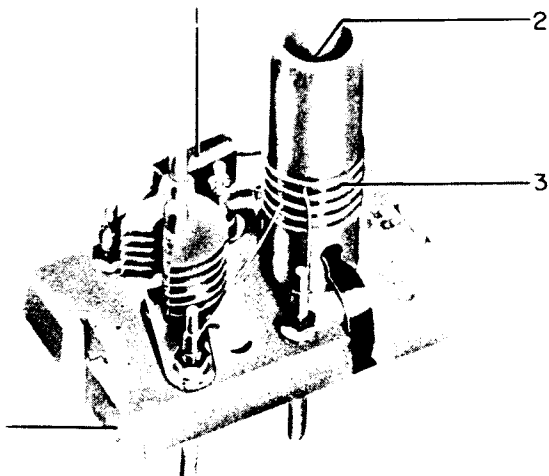


Figure 26. Radio Frequency Input Assembly,
29.7 - 54.0 Mc

PART NO.	DESCRIPTION							UNITS PER ASSY	USABLE ON CODE
	1	2	3	4	5	6	7		
RADIO FREQUENCY TRANSFORMER ASSEMBLY 29.7 - 54.0 MC									
31404-1	TRANSFORMER ASSY, RF (29.7 - 54.0 mc) (see fig. 8-45 for next higher assy)							Ref	
CM15C510G	. CAPACITOR, Fixed mica dielectric (MIL-C-5A)							1	
D-1	. CORE, Inductance adjuster (CHL)							1	
(ATTACHING PARTS)									
C7133B-632-012	. NUT, Tension (TIN)							1	
COMM	. NUT, Hex steel Cd pl No. 6-32 NC-2							1	
----*----									
31262-1	. TRANSFORMER, RF							1	
(ATTACHING PARTS)									
31004-1	. SPRING, Coil mounting							2	
----*----									
31428-1	. TRIMMER AND BASE ASSY							1	
 HIGH FREQUENCY OSCILLATOR ASSEMBLY, 29.7 - 54.0 MC									
31403-1	OSCILLATOR ASSY, HF 29.7 - 54.0 mc (see fig. 8-46 for next higher assy)							Ref	
CM20C510G	. CAPACITOR, Fixed mica dielectric (MIL-C-5A)							1	
CM20C611G	. CAPACITOR, Fixed mica dielectric (MIL-C-5A)							1	
D-1	. CORE, Inductance adjuster (CHL)							1	
(ATTACHING PARTS)									
C7133B-632-012	. NUT, Tension (TIN)							1	
COMM	. NUT, Hex steel Cd pl No. 6-32 NC-2							1	
----*----									
31260-1	. COIL, RF							1	
(ATTACHING PARTS)									
31004-1	. SPRING, Coil mounting							2	
----*----									
31430-1	. TRIMMER AND BASE ASSY							1	



27. Radio Frequency Transformer Assembly, 29.7 - 54.0 Mc

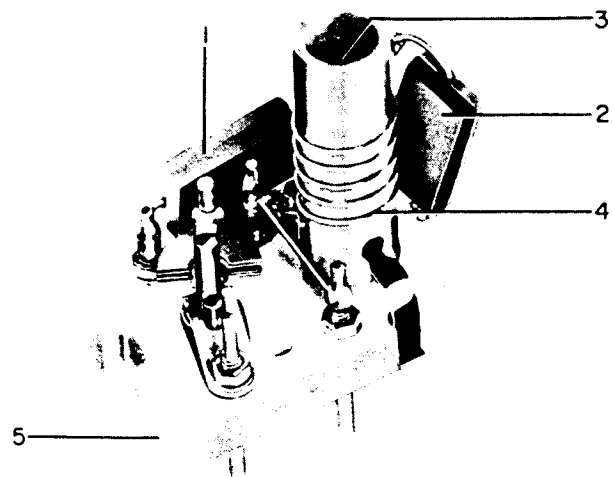


Figure 28. High Frequency Oscillator Assembly, 29.7 - 54.0 Mc

FIG. & INDEX NO.	PART NO.	DESCRIPTION							UNITS PER ASSY	USABLE ON CODE
		1	2	3	4	5	6	7		
GEAR TRAIN ASSEMBLY										
29-	31291-1	GEAR TRAIN ASSY (see fig. 8-50 for next higher assy) . . .							Ref	
-1	31201-1	. CAM AND HUB ASSY (incl 2 AN565D8H3 screws)							1	
-2	31126-1	. SPRING, Slide							1	
-3	31202-1	. SLIDE AND ROLLER ASSY							1	
(ATTACHING PARTS)										
-4	COMM	. SCREW, Binding hd steel Cd pl No. 4-40 NC-2							4	
x 1/4 in. lg incl external tooth lock washer steel Cd pl 0.254 OD x 0.019 in. thick										
-5	31189-1	. SPACER							4	
---*---										
-6	31205-1	. SPRING, Detent							2	
-7	31177-1	. LEVER AND ROLLER ASSY							1	
-8	31050-1	. PLATE, Bearing							1	
(ATTACHING PARTS)										
-9	COMM	. SCREW, Binding hd steel Cd pl No. 10-32 NF-2							1	
x 1/2 in. lg incl external tooth lock washer steel Cd pl 0.408 OD x 0.024 in. thick										
-10	COMM	. SCREW, Binding hd steel Cd pl No. 8-32 NC-2							2	
x 5/16 in. lg incl external tooth lock washer steel Cd pl 0.317 OD x 0.021 in. thick										
---*---										
-11	31173-1	. CAM AND HUB ASSY (incl 2 AN565D8H4 screws)							1	
-12	31052-1	. SHAFT AND GEAR ASSY							1	
-13	31169-1	. FLYWHEEL AND SHAFT ASSY							1	
-14	31164-1	. IDLER							1	
-15	1003-6	. SCREW, Rear bearing							1	
(ATTACHING PARTS)										
-16	COMM	. NUT, Hex steel Cd pl 1/4 in. - 32 NEF-2							1	
---*---										
-17	10027-13	. BALL, Bearing							1	
-18	31047-1	. PLATE, Bearing							1	
(ATTACHING PARTS)										
-19	COMM	. SCREW, Binding hd steel Cd pl No. 10-32 NF-2							2	
x 1/2 in. lg incl external tooth lock washer steel Cd pl 0.408 OD x 0.024 in. thick										
---*---										
	31288-1	. SHAFT GEAR AND HUB ASSY							1	
(ATTACHING PARTS)										
-20	COMM	. SCREW, Binding hd steel Cd pl No. 6-32 NC-2							3	
x 3/8 in. lg incl external tooth lock washer steel Cd pl 0.270 OD x 0.021 in. thick										
---*---										
-21	31064-1	. HUB							1	
(ATTACHING PARTS)										
-22	WA512	. RING, Retaining (NL)							1	
---*---										
-23	31051-1	. SHAFT AND GEAR ASSY							1	
-24	31059-1	. POST							3	
(ATTACHING PARTS)										
-25	COMM	. SCREW, Binding hd steel Cd pl No. 10-32 NF-2							3	
x 1/2 in. lg incl external tooth lock washer steel Cd pl 0.408 OD x 0.024 in. thick										
---*---										

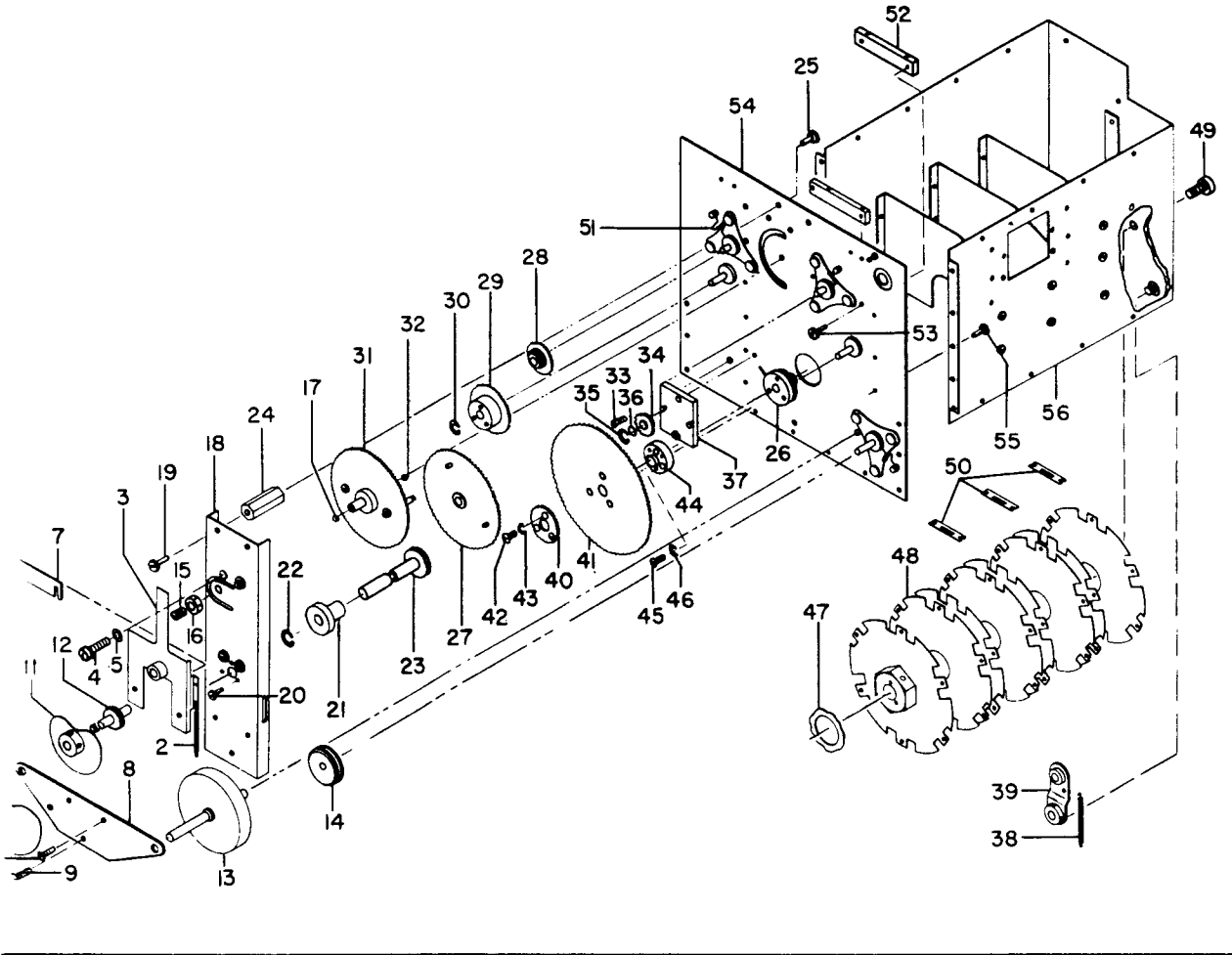


Figure 29. Gear Train Assembly

PART NO.	1	2	3	4	5	6	7	DESCRIPTION	UNITS PER ASSY	USABLE ON CODE
GEAR TRAIN ASSEMBLY (cont)										
31095-1	.							DIAL HUB AND GEAR ASSY, Band spread	1	
31098-1	.							GEAR AND HUB ASSY	1	
31096-1	.							GEAR AND HUB ASSY	1	
31097-1	.							HUB AND GEAR ASSY, Main dial	1	
(ATTACHING PARTS)										
WA510	.							RING, Retaining (NL)	4	
*---										
31150-1	.							GEAR AND DRIVE PIN ASSY	1	
10027-13	.							BALL, Bearing	1	
31287-1	.							PLATE ASSY, Gear	1	
(ATTACHING PARTS)										
COMM	.							SCREW, Binding hd steel Cd pl No. 6-32 NC-2 x 3/8 in. lg incl external tooth lock washer steel Cd pl 0.270 OD x 0.021 in. thick	2	
*---										
31039-1	.							GEAR	2	

FIG. & INDEX NO.	PART NO.	DESCRIPTION	UNITS PER ASSY	USABLE ON CODE
		1 2 3 4 5 6 7		
GEAR TRAIN ASSEMBLY (cont)				
(ATTACHING PARTS)				
29-35	WA512	. . RING, Retaining (NL)	2	
-36	COMM	. . WASHER, Flat steel Cd pl 9/16 OD x 17/64 ID x 3/64 in. thick	2	
---*---				
-37	31170-1	. . PLATE AND PIN ASSY	1	
-38	31125-1	. SPRING, Switch	1	
-39	31198-1	. LEVER ASSY (incl 2 AN565D8H3 screws)	1	
-40	31037-1	. GEAR	1	
-41	31036-1	. GEAR	1	
(ATTACHING PARTS)				
-42	AN515-8-10	. SCREW	3	
-43	COMM	. WASHER, Spring lock P bronze Cd pl No. 8. x 0.280 OD x 0.047 in. thick (NL)	3	
---*---				
-44	31063-1	. HUB	1	
(ATTACHING PARTS)				
-45	AN515-8-10	. SCREW	3	
-46	COMM	. WASHER, Spring lock P bronze Cd pl No. 8. x 0.280 OD x 0.047 in. thick (NL)	3	
---*---				
-47	31277-1	. WASHER, Wavy	1	
-48	31137-1	. MOUNTING DISC AND SHAFT ASSY (see fig. 30 for breakdown)	1	
(ATTACHING PARTS)				
-49	COMM	. SCREW, Hex socket hd cap steel Cd pl 1/4 in. -28 x NF-2 x 1/4 in. lg	1	
---*---				
-50	31279-1	. SPRING, Contact	3	
-51	31239-1	. SPRING, Spider	3	
-52	31085-1	. PLATE, Nut	1	
(ATTACHING PARTS)				
-53	COMM	. SCREW, Rd hd steel Cd pl No. 6-32 NC-2 x 7/16 in. lg incl external tooth lock washer steel Cd pl 0.270 OD x 0.021 in. thick	2	
---*---				
-54	31166-1	. BASE PLATE AND SPIDER ASSY	1	
(ATTACHING PARTS)				
-55	COMM	. SCREW, Binding hd steel Cd pl No. 6-32 NC-2 x 1/4 in. lg incl external tooth lock washer steel Cd pl 0.270 OD x 0.021 in. thick	10	
---*---				
-56	31285-1	. SHIELD ASSY, Tuning unit (see fig. 31 for breakdown)	1	
MOUNTING DISC AND SHAFT ASSEMBLY				
30-	31137-1	MOUNTING DISC AND SHAFT ASSY (see fig. 29-48 for . . . next higher assy)	Ref	
-1	31078-2	. NUT, Spacer	1	
(ATTACHING PARTS)				
-2	AN565D8H6	. SCREW	1	
---*---				

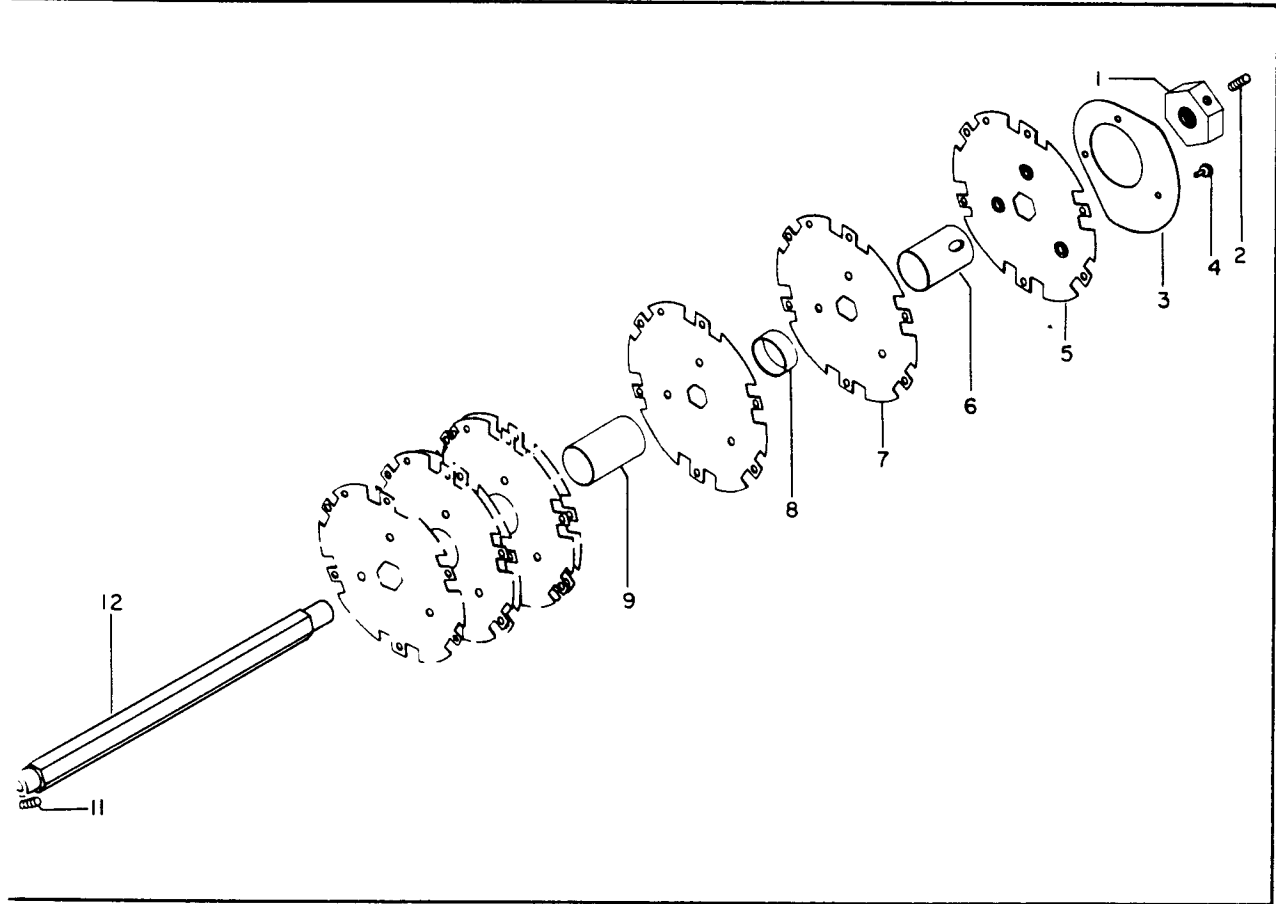


Figure 30. Mounting Disc and Shaft Assembly

PART NO.	DESCRIPTION							UNITS PER ASSY	USABLE ON CODE
	1	2	3	4	5	6	7		
MOUNTING DISC AND SHAFT ASSEMBLY (cont)									
31192-1	.	CAM	1	
(ATTACHING PARTS)									
COMM	.	SCREW, Binding hd steel Cd pl No. 4-40 NC-2 x 1/4	3	
		in. lg incl external tooth lock washer steel Cd pl 0.254 OD x 0.019 in. thick							
	---	*	---						
31204-1	.	MOUNTING DISC AND SPACER ASSY.	1	
31066-1	.	TUBING	1	
31002-1	.	DISC, Mounting	7	
31065-2	.	TUBING	3	
31065-1	.	TUBING	3	
31078-1	.	NUT, Spacer	1	
(ATTACHING PARTS)									
AN565D8H6	.	SCREW	1	
	---	*	---						
31077-1	.	SHAFT, Hex	1	

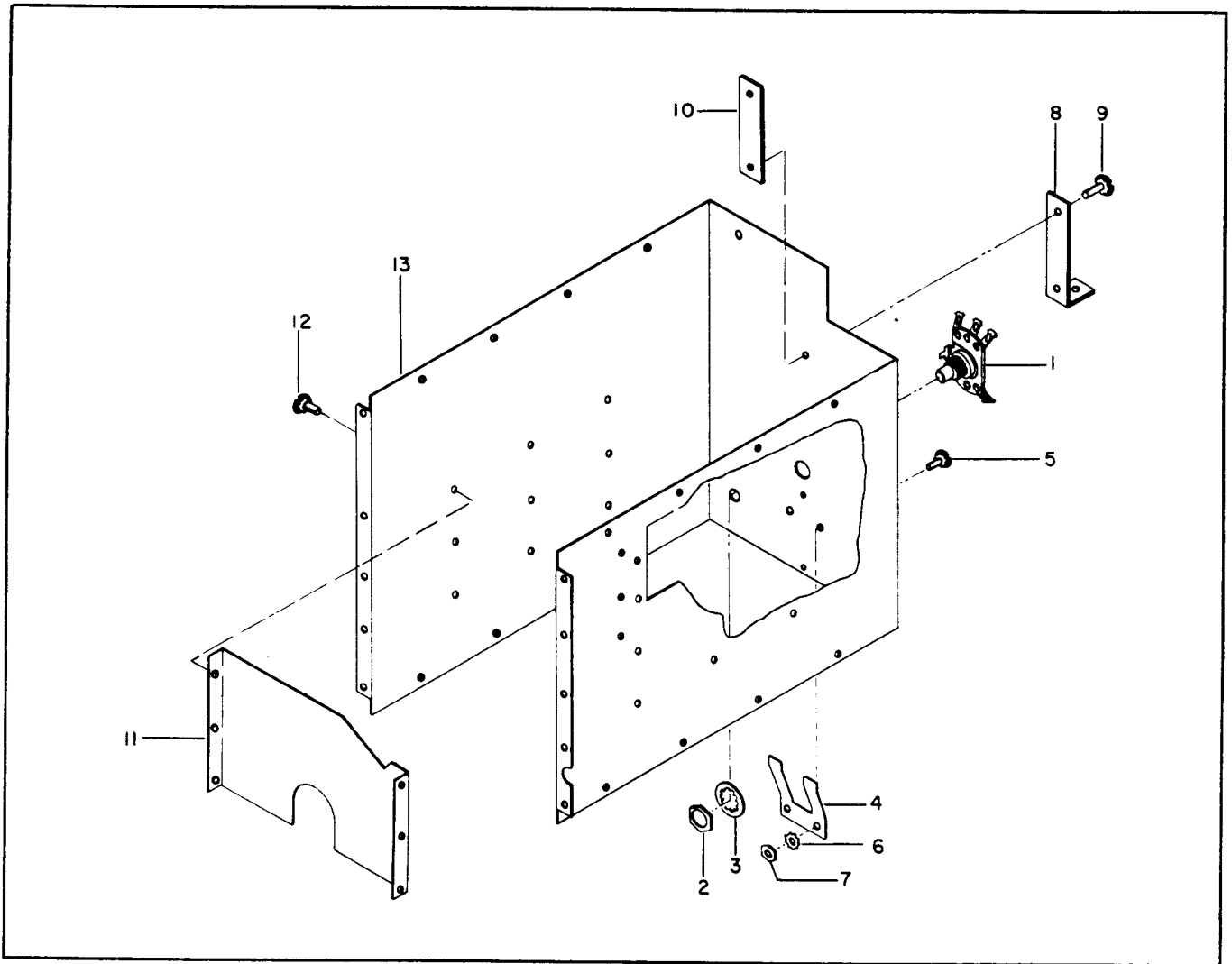


Figure 31. Tuning Unit Shield Assembly

FIG. & INDEX NO.	PART NO.	DESCRIPTION	UNITS PER ASSY	USABLE ON CODE
TUNING UNIT SHIELD ASSEMBLY				
31-	31285-1	SHIELD ASSY, Tuning unit (see fig. 29-56 for next higher assy)	Ref	
-1	15862-1	. SWITCH, Rotary spdt (similar to OAK type 23)	1	
(ATTACHING PARTS)				
-2	COMM	. NUT, Hex steel Cd pl 3/8 in. - 32 NEF-2	1	
-3	AN936A616	. WASHER	1	
-----*				
-4	31278-1	. SPRING, Contact	1	
(ATTACHING PARTS)				
-5	COMM	. SCREW, Binding hd steel Cd pl No. 6-32 NC-2 x 5/16 in. lg incl external tooth lock washer steel Cd pl 0.270 OD x 0.021 in. thick	2	
-6	AN936B6	. WASHER	2	
-7	COMM	. NUT, Hex steel Cd pl No. 6-32 NC-2	2	
-----*				

PART NO.	DESCRIPTION							UNITS PER ASSY	USABLE ON CODE
	1	2	3	4	5	6	7		
TUNING UNIT SHIELD ASSEMBLY (cont)									
31144-1	.	BRACKET						1	
		(ATTACHING PARTS)							
COMM	.	SCREW, Binding hd steel Cd pl No. 10-32 NF						2	
		x 3/8 in. lg incl external tooth lock washer steel Cd pl 0.408 OD x 0.024 in. thick							
		---*---							
31142-1	.	PLATE, Nut						1	
31117-1	.	PLATE, Shield						3	
		(ATTACHING PARTS)							
COMM	.	SCREW, Binding hd steel Cd pl No. 6-32 NC-2						16	
		x 1/4 in. lg incl external tooth lock washer steel Cd pl 0.270 OD x 0.021 in. thick							
		---*---							
31080-1	.	SHIELD, Tuning unit						1	
CHASSIS ASSEMBLY									
33906-1		CHASSIS ASSY (see fig. 7-44 for next higher assy)						Ref	
8280	.	SWITCH, Toggle SPST (CUT)						2	
JJ-034	.	JACK, Telephone (JAN-J-641)						1	
81057NA	.	SWITCH, Toggle DPDT (AHH)						1	
No Number	.	RESISTOR, Variable composition 500,000 ohms \pm 10%						1	
		2w type J (AB)							
No Number	.	RESISTOR, Variable composition 50,000 ohms \pm 10%						1	
		2w w/SPST switch type JS (AB)							
8360	.	SWITCH, Toggle DPST (CUT)						1	
RC20BF335K	.	RESISTOR, Fixed composition (MIL-R-11A)						1	
8363	.	SWITCH, Toggle DPDT (CUT)						1	
31216-1	.	SWITCH ASSY, Selectivity (see fig. 33 for breakdown)						1	
No Number	.	CABLE ASSY, Power c/o BDN No. 18-32 POSJ cable						1	
		and 1 BDN No. H1047 plug							
SP-4P	.	BUSHING, Strain relief (HEMA)						1	
CM30C103J	.	CAPACITOR, Fixed mica dielectric (MIL-C-5A)						3	
RC20BF103J	.	RESISTOR, Fixed composition (MIL-R-11A)						4	
1369	.	COIL, Radio frequency 825 uh at 380 kc 9 ohms						1	
		DC resistance (JFE)							
CM35A512J	.	CAPACITOR, Fixed mica dielectric (MIL-C-5A)						2	
RC30BF361J	.	RESISTOR, Fixed composition (MIL-R-11A)						1	
RC20BF474K	.	RESISTOR, Fixed composition (MIL-R-11A)						2	
RC20BF103K	.	RESISTOR, Fixed composition (MIL-R-11A)						1	
No Number	.	CAPACITOR, Fixed ceramic dielectric 10,000 uuf						11	
		1000 v DC working type B (RAMT)							
RC20BF681K	.	RESISTOR, Fixed composition (MIL-R-11A)						1	
CC21UJ510J	.	CAPACITOR, Fixed ceramic dielectric (MIL-C-20A)						2	
RC20BF105K	.	RESISTOR, Fixed composition (MIL-R-11A)						1	
RC20BF100K	.	RESISTOR, Fixed composition (MIL-R-11A)						3	
RC20BF334J	.	RESISTOR, Fixed composition (MIL-R-11A)						1	
CC20HJ150J	.	CAPACITOR, Fixed ceramic dielectric (MIL-C-20A)						1	
RC20BF124J	.	RESISTOR, Fixed composition (MIL-R-11A)						2	
RC20BF823J	.	RESISTOR, Fixed composition (MIL-R-11A)						2	
No Number	.	CAPACITOR, Fixed mica dielectric 2500 uuf \pm 10%						1	
		800 v DC type 1441WP (AEV)							
RC20BF183K	.	RESISTOR, Fixed composition (MIL-R-11A)						1	
RC20BF222K	.	RESISTOR, Fixed composition (MIL-R-11A)						1	
RC20BF223J	.	RESISTOR, Fixed composition (MIL-R-11A)						1	

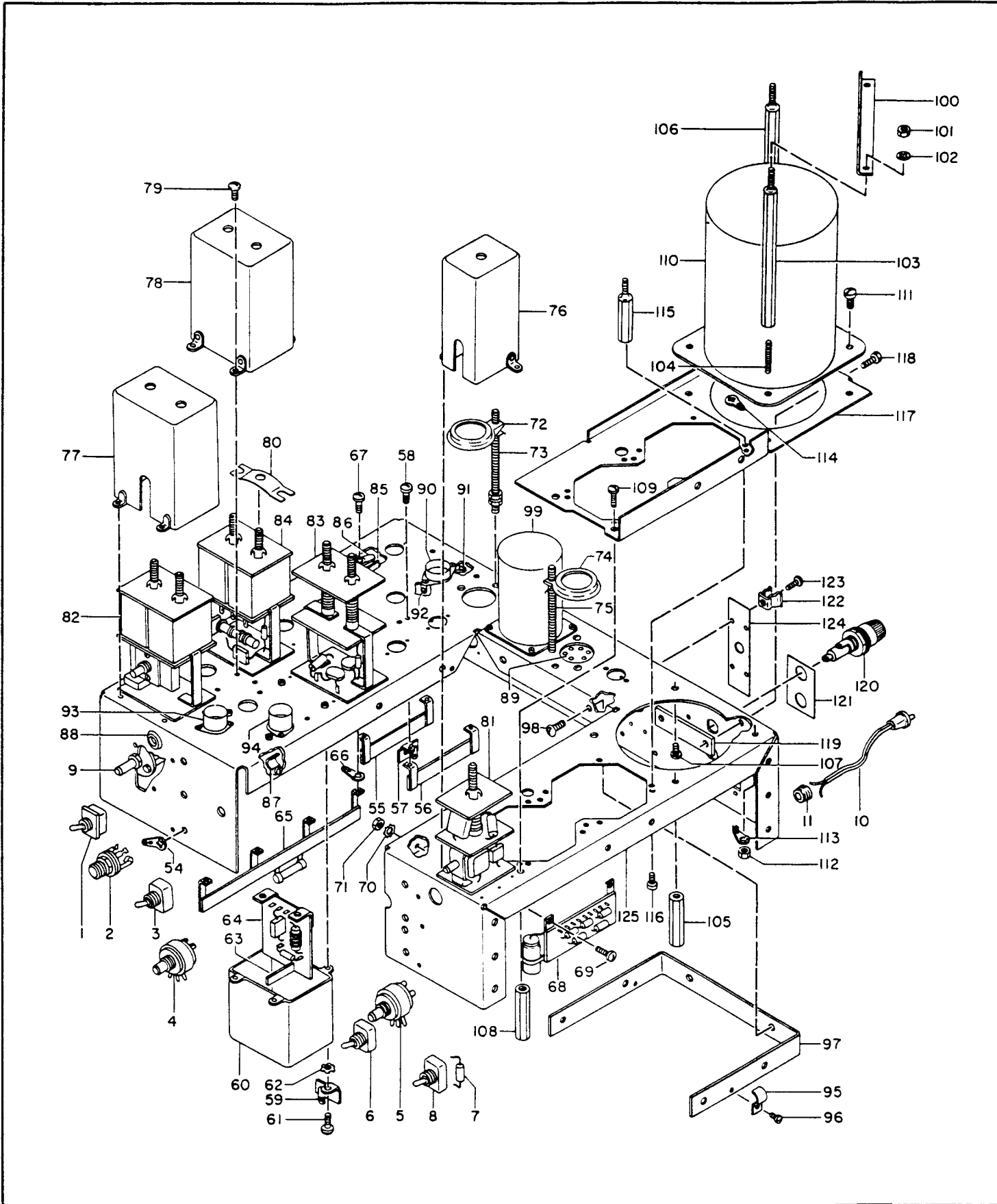


Figure 32. Chassis Assembly

FIG. & INDEX NO.	PART NO.	DESCRIPTION	UNITS PER ASSY	USABLE ON CODE
CHASSIS ASSEMBLY (cont)				
32-32	RC20BF391J	. RESISTOR, Fixed composition (MIL-R-11A)	1	
-33	RC20BF152K	. RESISTOR, Fixed composition (MIL-R-11A)	1	
-34	RC20BF104K	. RESISTOR, Fixed composition (MIL-R-11A)	1	
-35	CP28A1EC503M	. CAPACITOR, Fixed paper dielectric (MIL-C-25A)	1	
		(ATTACHING PARTS)		
	COMM	. SCREW, Binding hd steel Cd pl No. 6-32 NC-2 x 1/4 . . . in. lg incl external tooth lock washer steel Cd pl 0.270 OD x 0.021 in. thick	1	
		---*---		
-36	CP28A1EC254M	. CAPACITOR, Fixed paper dielectric (MIL-C-25A)	1	
		(ATTACHING PARTS)		
	COMM	. SCREW, Binding hd steel Cd pl No. 6-32 NC-2 x 1/4 . . . in. lg incl external tooth lock washer steel Cd pl 0.0270 OD x 0.021 in. thick	1	
	AN936B6	. WASHER	1	
	COMM	. NUT, Hex steel Cd pl No. 6-32 NC-2	1	
		---*---		
-37	402AC	. CONNECTOR, Receptacle (ALP)	1	
		(ATTACHING PARTS)		
	COMM	. SCREW, Binding hd steel Cd pl No. 6-32 NC-2 x 5/16 . . . in. lg incl external tooth lock washer steel Cd pl 0.270 OD x 0.021 in. thick	2	
	AN936B6	. WASHER	2	
	COMM	. NUT, Hex steel Cd pl No. 6-32 NC-2	2	
		---*---		
-38	2104-6	. TERMINAL, Locking (SH)	2	
-39	CE63D100H	. CAPACITOR, Fixed dry electrolytic (JAN-C-62)	5	
		(ATTACHING PARTS)		
	COMM	. SCREW, Binding hd steel Cd pl No. 6-32 NC-2 x 5/16 . . . in. lg incl external tooth lock washer steel Cd pl 0.270 OD x 0.021 in. thick	10	
	AN936B6	. WASHER	9	
	COMM	. NUT, Hex steel Cd pl No. 6-32 NC-2	10	
		---*---		
-40	2104-6	. TERMINAL, Locking (SH)	1	
-41	31141-1	. STRIP, Terminal (mod from JNS board)	1	
-42	31480-1	. STRIP, Terminal (mod from JNS strip)	1	
		(ATTACHING PARTS)		
	COMM	. SCREW, Binding hd steel Cd pl No. 6-32 NC-2 x 3/8 . . . in. lg incl external tooth lock washer steel Cd pl 0.270 OD x 0.021 in. thick	4	
	AN936B6	. WASHER	1	
	COMM	. NUT, Hex steel Cd pl No. 6-32 NC-2	4	
		---*---		
-43	2104-6	. TERMINAL, Locking (SH)	1	
-44	No Number	. RESISTOR, Variable composition 25,000 ohms ± 20% . . . (AB)	1	
-45	No Number	. RESISTOR, Variable wire wound 3300 ohms ± 10% 2 w . . . (similar to JAN type RA 20)	1	
-46	RA20A1SA102AK	. RESISTOR, Variable composition (JAN-R-19A)	1	
		(ATTACHING PARTS)		
	COMM	. NUT, Hex steel Cd pl 3/8 in. -32 NEF-2	3	
	1220-2	. WASHER, Internal tooth lock steel Cd pl for 3/8 in. . . . screw	3	
		---*---		

FIG. & INDEX NO.	PART NO.	DESCRIPTION							UNITS PER ASSY	USABLE ON CODE	
		1	2	3	4	5	6	7			
CHASSIS ASSEMBLY (cont)											
32-47	No Number	.	CONNECTOR, Receptacle Navy type No. CPH-49194 . . .							1	
			Signal Corp No. SO-239								
			(ATTACHING PARTS)								
	COMM	.	SCREW, Rd hd steel Cd pl No. 4-40 NC-2 x 3/8							4	
			in. lg incl internal tooth lock washer steel								
			Cd pl 0.20 OD x 0.019 in. thick								
	AN936B4	.	WASHER							4	
	COMM	.	NUT, Hex steel Cd pl No. 4-40 NC-2							4	
			---*---								
-48	2102-4	.	TERMINAL, Locking (SH)							1	
-49	2423	.	STRIP, Terminal (ICA).							1	
-50	T-2-5	.	STRIP, Terminal (FNK)							1	
-51	2104-6	.	TERMINAL, Locking (SH)							1	
			(ATTACHING PARTS)								
	COMM	.	SCREW, Binding hd steel Cd pl No. 6-32 NC-2 x 1/4 . . .							3	
			in. lg incl external tooth lock washer steel								
			Cd pl 0.270 OD x 0.021 in. thick								
	AN936B6	.	WASHER							3	
	COMM	.	NUT, Hex steel Cd pl No. 6-32 NC-2							3	
			---*---								
-52	9226-11	.	SPACER, Hex							1	
			(ATTACHING PARTS)								
	COMM	.	SCREW, Binding hd steel Cd pl No. 6-32 NC-2 x 1/4 . . .							1	
			in. lg incl external tooth lock washer steel								
			Cd pl 0.270 OD x 0.021 in. thick								
			---*---								
-53	T-8-6	.	STRIP, Terminal (FNK)							1	
			(ATTACHING PARTS)								
	COMM	.	SCREW, Binding hd steel Cd pl No. 6-32 NC-2 x 5/16 . .							2	
			in. lg incl external tooth lock washer steel								
			Cd pl 0.270 OD x 0.021 in. thick								
	AN936B6	.	WASHER							2	
	COMM	.	NUT, Hex steel Cd pl No. 6-32 NC-2							2	
			---*---								
-54	2104-6	.	TERMINAL, Locking (SH)							1	
-55	31217-1	.	TERMINAL ASSY (see fig. 34 for breakdown).							1	
-56	31151-1	.	TERMINAL ASSY (see fig. 35 for breakdown).							1	
-57	2423	.	STRIP, Terminal (ICA)							1	
			(ATTACHING PARTS)								
	COMM	.	SCREW, Binding hd steel Cd pl No. 6-32 NC-2 x 5/16 . .							4	
			in. lg incl external tooth lock washer steel								
			Cd pl 0.270 OD x 0.021 in. thick								
			---*---								
-59	T-2-5	.	STRIP, Terminal (FNK)							1	
-60	31105-1	.	CAN AND BRACKET ASSY, Shield							1	
			(ATTACHING PARTS)								
	COMM	.	SCREW, Binding hd steel Cd pl No. 6-32 NC-2 x 1/4 . . .							4	
			in. lg incl external tooth lock washer steel								
			Cd pl 0.270 OD x 0.021 in. thick								
-62	AN936B6	.	WASHER							1	
			---*---								
-63	31472-1	.	SUPPORT, Terminal board							1	
-64	31131-1	.	TERMINAL BOARD ASSY, Oscillator (see fig. 36 for . . .							1	
			breakdown)								

PART NO.	1 2 3 4 5 6 7	DESCRIPTION	UNITS PER ASSY	USABLE ON CODE
CHASSIS ASSEMBLY (cont)				
31140-1	.	TERMINAL ASSY (see fig. 37 for breakdown)	1	
2104-6	.	TERMINAL, Locking (SH)	3	
(ATTACHING PARTS)				
COMM	.	SCREW, Binding hd steel Cd pl No. 6-32 NC-2 x 1/4 in. lg incl external tooth lock washer steel Cd pl 0.270 OD x 0.021 in. thick	6	
33929-1	.	TERMINAL BOARD ASSY (see fig. 38 for breakdown)	1	
(ATTACHING PARTS)				
COMM	.	SCREW, Binding hd steel Cd pl No. 6-32 NC-2 x 3/8 in. lg incl external tooth lock washer steel Cd pl 0.270 OD x 0.021 in. thick	2	
AN936B6	.	WASHER	2	
COMM	.	NUT, Hex steel Cd pl No. 6-32 NC-2	2	
-----*				
16141-2	.	RETAINER, Tube	1	
2	.	HAT, Electron tube (TTE)	1	
32	.	POST, Threaded (TTE)	1	
(ATTACHING PARTS)				
COMM	.	NUT, Hex copper nickel pl No. 8-32 NC-2	2	
COMM	.	WASHER, Internal tooth lock copper nickel pl for No. 8 screw	1	
-----*				
16140-2	.	RETAINER, Tube	1	
4	.	HAT, Electron tube (TTE)	1	
42	.	POST, Threaded (TTE)	1	
(ATTACHING PARTS)				
COMM	.	NUT, Hex copper nickel pl No. 8-32 NC-2 x 1/4 in. across flats	1	
COMM	.	WASHER, Internal tooth lock copper nickel pl for No. 8 screw	1	
COMM	.	NUT, Hex copper nickel pl No. 8-32 NC-2	1	
-----*				
31133-1	.	SHIELD AND BRACKET ASSY, Beat frequency oscillator	1	
31132-1	.	CAN AND BRACKET ASSY, Shield	1	
31019-1	.	CAN AND BRACKET ASSY, Shield	3	
(ATTACHING PARTS)				
COMM	.	SCREW, Binding hd steel Cd pl No. 6-32 NC-2 x 1/4 in. lg incl external tooth lock washer steel Cd pl 0.270 OD x 0.021 in. thick	20	
-----*				
31023-1	.	SPRING	5	
31106-4	.	OSCILLATOR ASSY, Beat frequency (see fig. 39 for breakdown)	1	
31114-1	.	FILTER ASSY, Crystal (see fig. 40 for breakdown)	1	
31116-2	.	TRANSFORMER ASSY, IF (see fig. 41 for breakdown)	1	
31102-2	.	TRANSFORMER ASSY, IF (see fig. 42 for breakdown)	2	
(ATTACHING PARTS)				
COMM	.	SCREW, Binding hd steel Cd pl No. 6-32 NC-2 x 1/4 in. lg incl external tooth lock washer steel Cd pl 0.270 OD x 0.021 in. thick	12	
-----*				

FIG. & INDEX NO.	PART NO.	1	2	3	4	5	6	7	DESCRIPTION	UNITS PER ASSY	USABLE ON CODE
CHASSIS ASSEMBLY (cont)											
32-85	T-2-5	.							STRIP, Terminal (FNK)	1	
-86	2104-6	.							TERMINAL, Locking (SH)	4	
-87	79	.							CLAMP, Cable (ZE)	2	
									(ATTACHING PARTS)		
	COMM	.							SCREW, Binding hd steel Cd pl No. 6-32 NC-2 x 5/16 in. lg incl external tooth lock washer steel Cd pl 0.270 OD x 0.021 in. thick	2	
	AN936B6	.							WASHER	2	
	COMM	.							NUT, Hex steel Cd pl No. 6-32 NC-2	2	
									---*---		
-88	2029	.							GROMMET (CAF)	2	
-89	9859	.							SOCKET, Electron tube (CIN)	2	
									(ATTACHING PARTS)		
	AN505-6-5	.							SCREW	4	
	AN936B6	.							WASHER	4	
	COMM	.							NUT, Hex steel Cd pl No. 6-32 NC-2	4	
									---*---		
-90	53F12875	.							SOCKET, Electron tube (CIN)	1	
									(ATTACHING PARTS)		
	COMM	.							SCREW, Binding hd steel Cd pl No. 6-32 NC-2 x 3/8 in. lg incl external tooth lock washer steel Cd pl 0.270 OD x 0.021 in. thick	2	
	COMM	.							NUT, Hex steel Cd pl No. 6-32 NC-2	2	
									---*---		
-91	2104-6	.							TERMINAL, Locking (SH)	1	
-92	2116-06	.							TERMINAL, Locking (SH)	1	
-93	TSE7T101	.							SOCKET, Electron tube (JAN-S-28A)	10	
									(ATTACHING PARTS)		
	COMM	.							SCREW, Rd hd steel Cd pl No. 4-40 NC-2 x 5/16 in. lg incl internal tooth lock washer steel Cd pl 0.20 OD x 0.019 in. thick	20	
	AN936B4	.							WASHER	20	
	1060	.							NUT, Strap (CIN)	10	
									---*---		
-94	TSE7T101	.							SOCKET, Electron tube (JAN-S-28A)	2	
									(ATTACHING PARTS)		
	COMM	.							SCREW, Rd hd steel Cd pl No. 4-40 NC-2 x 1/4 in. lg incl internal tooth lock washer steel Cd pl 0.20 OD x 0.019 in. thick	4	
	COMM	.							NUT, Hex steel Cd pl No. 4-40 NC-2	4	
									---*---		
-95	79	.							CLAMP, Cable (ZE)	2	
									(ATTACHING PARTS)		
-96	COMM	.							SCREW, Binding hd steel Cd pl No. 6-32 NC-2 x 1/4 in. lg incl external tooth lock washer steel Cd pl 0.270 OD x 0.021 in. thick	2	
									---*---		
-97	31426-1	.							BRACKET, Chassis	1	
									(ATTACHING PARTS)		
-98	COMM	.							SCREW, Binding hd steel Cd pl No. 10-32 NF-2 x 1/4 in. lg incl external tooth lock washer steel Cd pl 0.408 OD x 0.024 in. thick	6	
									---*---		

PART NO.	1	2	3	4	5	6	7	DESCRIPTION	UNITS PER ASSY	USABLE ON CODE
CHASSIS ASSEMBLY (cont)										
31086-2	.							TRANSFORMER, Audio output	1	
								(ATTACHING PARTS)		
COMM	.							SCREW, Binding hd steel Cd pl No. 6-32 NC-2 x 5/16	4	
								in. lg incl external tooth lock washer steel Cd pl 0.270 OD x 0.021 in. thick		
AN936B6	.							WASHER	4	
COMM	.							NUT, Hex steel Cd pl No. 6-32 NC-2	4	
								-----*		
31425-1	.							STRIP, Transformer	1	
								(ATTACHING PARTS)		
COMM	.							NUT, Hex steel Cd pl No. 10-32 NF-2	4	
AN936A10	.							WASHER	4	
								-----*		
31424-1	.							POST	1	
10010-35	.							STUD, Threaded	1	
31421-1	.							POST, Mounting	1	
31424-1	.							POST	1	
								(ATTACHING PARTS)		
COMM	.							SCREW, Binding hd steel Cd pl No. 10-32 NF-2 x 1/2	1	
								in. lg incl external tooth lock washer steel Cd pl 0.408 OD x 0.024 in. thick		
								-----*		
31421-1	.							POST, Mounting	3	
								(ATTACHING PARTS)		
COMM	.							SCREW, Binding hd steel Cd pl No. 10-32 NF-2 x 1/2	3	
								in. lg incl external tooth lock washer steel Cd pl 0.408 OD x 0.024 in. thick		
								-----*		
31029-2	.							TRANSFORMER, Power	1	
								(ATTACHING PARTS)		
COMM	.							SCREW, Binding hd steel Cd pl No. 10-32 NF-2 x 1/2	1	
								in. lg incl external tooth lock washer steel Cd pl 0.408 OD x 0.024 in. thick		
COMM	.							NUT, Hex steel Cd pl No. 10-32 NC-2	1	
								-----*		
2109-10-01	.							TERMINAL, Locking (SH)	1	
124	.							TERMINAL (ZE)	1	
31422-1	.							POST	1	
								(ATTACHING PARTS)		
COMM	.							SCREW, Binding hd steel Cd pl No. 8-32 NC-2 x 1/2	1	
								in. lg incl external tooth lock washer steel Cd pl 0.317 OD x 0.021 in. thick		
								-----*		
31420-1	.							PLATE, Chassis	1	
								(ATTACHING PARTS)		
COMM	.							SCREW, Binding hd steel Cd pl No. 10-32 NF-2 x 5/16	2	
								in. lg incl external tooth lock washer steel Cd pl 0.408 OD x 0.024 in. thick		
								-----*		
31142-1	.							PLATE, Nut	1	

FIG. & INDEX NO.	PART NO.	DESCRIPTION	UNITS PER ASSY	USABLE ON CODE
CHASSIS ASSEMBLY (cont)				
32-120	HKP-Q	. HOLDER, Fuse (BUS)	2	
-121	31492-1	. PLATE, Fuse	1	
-122	4099	. CLIP, Fuse (BUS)	4	
(ATTACHING PARTS)				
-123	COMM	. RIVET, Halfoval hd semitubular steel Cd pl 0.121 dia . . x 5/32 in. lg	4	
-124	31493-1	---*--- . PLATE, Spare fuse	1	
-125	31135-4	. CHASSIS	1	

SELECTIVITY SWITCH ASSEMBLY

33-	31216-1	SWITCH ASSY, Selectivity (see fig. 32-9 for next higher assy)	Ref	
-1	RC20BF241J	. RESISTOR, Fixed composition (MIL-R-11A)	1	
-2	RC20BF112J	. RESISTOR, Fixed composition (MIL-R-11A)	1	
-3	RC20BF183K	. RESISTOR, Fixed composition (MIL-R-11A)	1	
-4	33994-1	. BRACKET	1	
-5	15856-1	. SWITCH, Rotary 3 sections (incl washer and nut). (similar to OAK type H)	1	

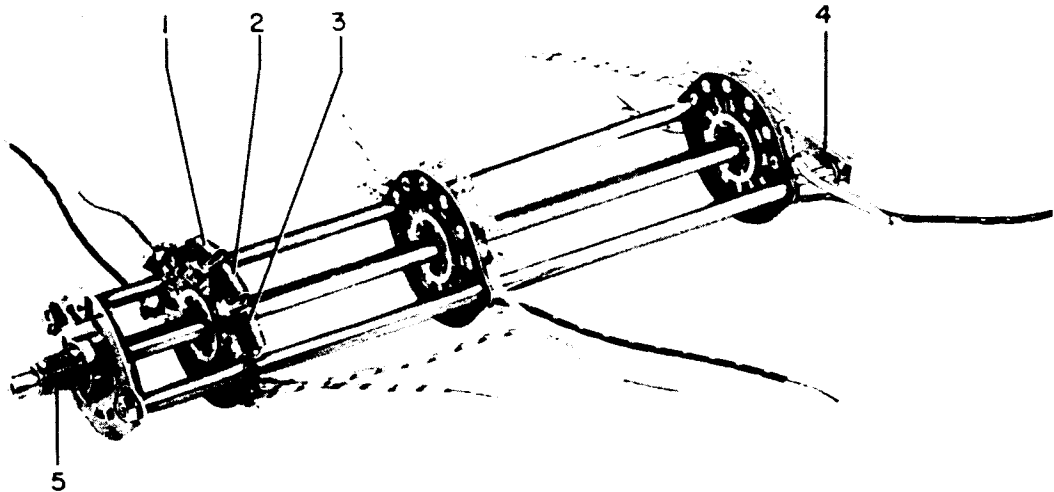


Figure 33. Selectivity Switch Assembly

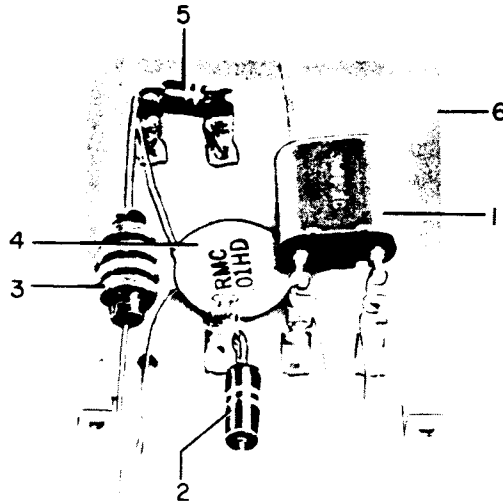


Figure 36. Oscillator Terminal Board Assembly

FIG. & INDEX NO.	PART NO.	DESCRIPTION	UNITS PER ASSY	USABLE ON CODE
		1 2 3 4 5 6 7		
OSCILLATOR TERMINAL BOARD ASSEMBLY				
36-	31131-1	TERMINAL BOARD ASSY, Oscillator (see fig. 32-64 for next higher assy)	Ref	
-1	No Number	. CRYSTAL UNIT, Quartz 3500 kc ± 0.005% type VX4 (BLY)	1	
-2	RC30BF203J	. RESISTOR, Fixed composition (MIL-R-11A)	1	
-3	15612-1	. COIL, RF 192 uh	1	
-4	No Number	. CAPACITOR, Fixed ceramic dielectric 10,000 uuf 1000 v DC working type B (RAMT)	2	
-5	RC20BF104K	. RESISTOR, Fixed composition (MIL-R-11A)	1	
-6	31124-1	. TERMINAL BOARD AND LUG ASSY	1	
TERMINAL ASSEMBLY				
37-	31140-1	TERMINAL ASSY (see fig. 32-65 for next higher assy)	Ref	
-1	RW32G252	. RESISTOR, Fixed wirewound (MIL-R-26A)	1	
-2	RC20BF333J	. RESISTOR, Fixed composition (MIL-R-11A)	1	
-3	RC20BF511J	. RESISTOR, Fixed composition (MIL-R-11A)	1	
-4	No Number	. CAPACITOR, Fixed ceramic dielectric 10,000 uuf 1000 v DC working type B (RAMT)	4	
-5	RC20BF103J	. RESISTOR, Fixed composition (MIL-R-11A)	4	
-6	RC20BF104K	. RESISTOR, Fixed composition (MIL-R-11A)	3	
-7	RC20BF223J	. RESISTOR, Fixed composition (MIL-R-11A)	1	
-8	RC20BF823J	. RESISTOR, Fixed composition (MIL-R-11A)	1	
-9	31162-1	. STRIP ASSY, Terminal	1	

FIG. & INDEX NO.	PART NO.	DESCRIPTION	UNITS PER ASSY	USABLE ON CODE
TERMINAL BOARD ASSEMBLY (cont)				
(ATTACHING PARTS)				
38-	COMM	. SCREW, Binding hd steel Cd pl No. 6-32 NC-2 x 7/16 . . . 4 in. lg incl external tooth lock washer steel Cd pl 0.270 OD x 0.21 in. thick	4	
	AN936B6	. WASHER	4	
	COMM	. NUT, Hex steel Cd pl No. 6-32 NC-2	4	
		---*---		
-8	33928-1	. BOARD AND TERMINAL ASSY	1	

BEAT FREQUENCY OSCILLATOR ASSEMBLY

39-	31106-4	OSCILLATOR ASSY, Beat frequency (see fig. 32-81 for next higher assy)	Ref	
-1	CM30C242J	. CAPACITOR, Fixed mica dielectric (MIL-C-5A)	1	
-2	CC21UJ270J	. CAPACITOR, Fixed ceramic dielectric (MIL-C-20A)	1	
-3	CM20C431G	. CAPACITOR, Fixed mica dielectric (MIL-C-5A)	2	
-4	CM15C510G	. CAPACITOR, Fixed mica dielectric (MIL-C-5A)	1	
-5	RC20BF473K	. RESISTOR, Fixed composition (MIL-R-11A)	1	
-6	RC20BF104K	. RESISTOR, Fixed composition (MIL-R-11A)	1	
-7	15615-2	. COIL, RF	1	
	31104-4	. OSCILLATOR SUB-ASSY, Beat frequency	1	
-8	31241-1	. . SHAFT, Beat frequency oscillator	1	

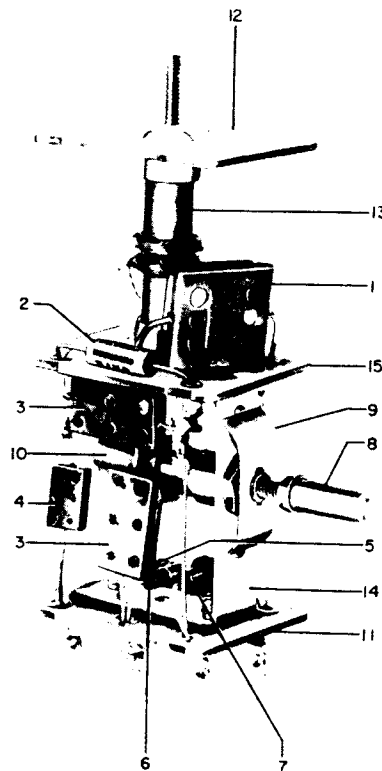


Figure 39. Beat Frequency Oscillator Assembly

PART NO.	DESCRIPTION							UNITS PER ASSY	USABLE ON CODE
	1	2	3	4	5	6	7		
BEAT FREQUENCY OSCILLATOR ASSEMBLY (cont)									
(ATTACHING PARTS)									
COMM AN936A6	.	.	NUT, Hex steel Cd pl No. 6-32 NC-2	1	
	.	.	WASHER	1	
*---									
31076-2	.	.	SPRING ASSY, Tension	1	
31070-3	.	.	COIL AND FERRULE ASSY	1	
(ATTACHING PARTS)									
COMM	.	.	NUT, Hex steel Cd pl 5/16 in. - 32 NEF-2	1	
*---									
31091-2	.	.	TERMINAL BOARD AND LUG ASSY	1	
(ATTACHING PARTS)									
COMM	.	.	SCREW, Binding hd steel Cd pl No. 6-32 NC-2	2	
			x 5/16 in. lg incl external tooth lock washer						
			steel Cd pl 0.270 OD x 0.021 in. thick						
*---									
31027-1	.	.	BOARD, Terminal	1	
(ATTACHING PARTS)									
C7133B-632-012	.	.	NUT, Tension (TIN)	1	
*---									
31071-1	.	.	COIL AND FERRULE ASSY	1	
(ATTACHING PARTS)									
COMM	.	.	SCREW, Binding hd steel Cd pl No. 6-32 NC-2	1	
			x 5/16 in. lg incl external tooth lock washer						
			steel Cd pl 0.270 OD x 0.021 in. thick						
AN936B6	.	.	WASHER	1	
*---									
31028-2	.	.	BRACKET, Mounting	1	
31091-1	.	.	TERMINAL BOARD AND LUG ASSY	1	
CRYSTAL FILTER ASSEMBLY									
31114-1			FILTER ASSY, Crystal (see fig. 32-82 for next higher assy)	Ref	
No Number	.	.	CRYSTAL UNIT, Quartz 455 kc ± 50 cps, type VX4 (BLY)	1	
CM15C221G	.	.	CAPACITOR, Fixed mica dielectric (MIL-C-5A)	1	
CM15C101G	.	.	CAPACITOR, Fixed mica dielectric (MIL-C-5A)	3	
CM15C271G	.	.	CAPACITOR, Fixed mica dielectric (MIL-C-5A)	1	
RC20BF222K	.	.	RESISTOR, Fixed composition (MIL-R-11A)	1	
31092-1	.	.	TERMINAL BOARD AND LUG ASSY	1	
(ATTACHING PARTS)									
COMM	.	.	SCREW, Binding hd steel Cd pl No. 6-32 NC-2 x 5/16 in. lg incl external tooth lock washer	2	
			steel Cd pl 0.270 OD x 0.021 in. thick						
*---									
31021-1	.	.	SHIELD ASSY, IF coil	1	
(ATTACHING PARTS)									
C7133B-632-012	.	.	NUT, Tension (TIN)	2	
*---									

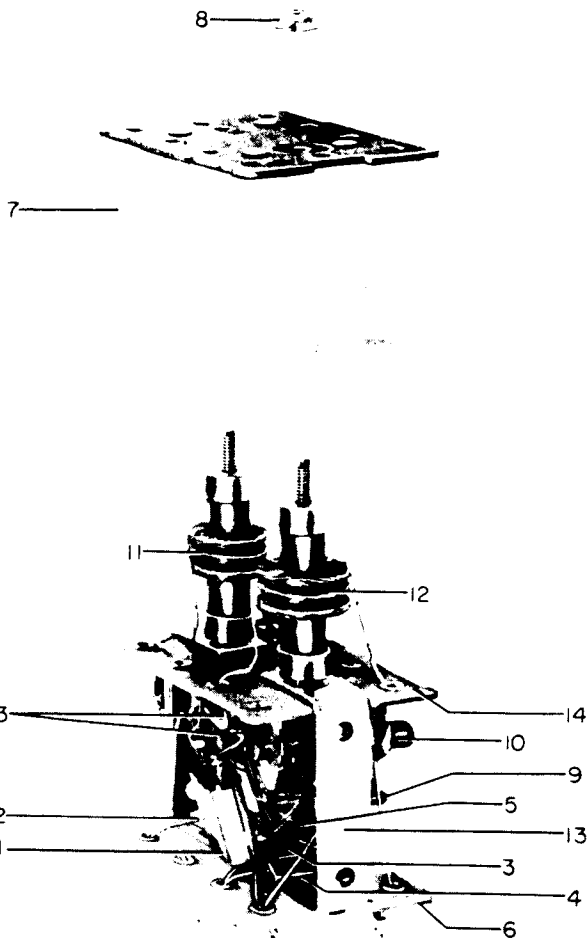


Figure 40. Crystal Filter Assembly

FIG. & INDEX NO.	PART NO.	1	2	3	4	5	6	7	DESCRIPTION	UNITS PER ASSY	USABLE ON CODE
CRYSTAL FILTER ASSEMBLY (cont)											
40-	31113-1	FILTER SUB-ASSY, Crystal	1	
-9	2102-4	TERMINAL, Locking (SH)	1	
-10	11776-1	CAPACITOR, Variable air dielectric 3.5 to 8 uuf	1	
	COMM	(ATTACHING PARTS) SCREW, Binding hd steel Cd pl No. 4-40 NC-2 x 1/4 in. lg incl external tooth lock washer steel Cd pl 0.254 OD x 0.019 in. thick	2	
-11	31242-1	COIL ASSY, Crystal filter plate	1	
-12	31068-1	COIL ASSY, Crystal filter grid.	1	

PART NO.	DESCRIPTION							UNITS PER ASSY	USABLE ON CODE
	1	2	3	4	5	6	7		
CRYSTAL FILTER ASSEMBLY (cont)									
(ATTACHING PARTS)									
COMM	.	.	SCREW, Binding hd steel Cd pl No. 6-32 NC-2 x 5/16 in. lg incl external tooth lock washer steel Cd pl 0.270 OD x 0.021 in. thick	2	
AN936B6	.	.	WASHER	2	
31017-1	.	.	BRACKET, Mounting	2	
31094-1	.	.	BOARD AND BRACKET ASSY	1	

INTERMEDIATE FREQUENCY TRANSFORMER ASSEMBLY

31116-2	TRANSFORMER ASSY, IF (see fig. 32-83 for next higher assy)	Ref
15613-1	COIL, RF 26 uh	1
No Number	CAPACITOR, Fixed ceramic dielectric 10,000 uuf 1000 v DC working type B (RAMT)	2
RC20BF104K	RESISTOR, Fixed composition (MIL-R-11A)	1
CM15C510G	CAPACITOR, Fixed mica dielectric (MIL-C-5A)	1
No Number	CAPACITOR, Fixed mica dielectric 65 uuf ± 2 uuf 500 v DC (ELMP)	1
31092-1	TERMINAL BOARD AND LUG ASSY	1
(ATTACHING PARTS)		
COMM	SCREW, Binding hd steel Cd pl No. 6-32 NC-2 x 5/16 in. lg incl external tooth lock washer steel Cd pl 0.270 OD x 0.021 in. thick	2

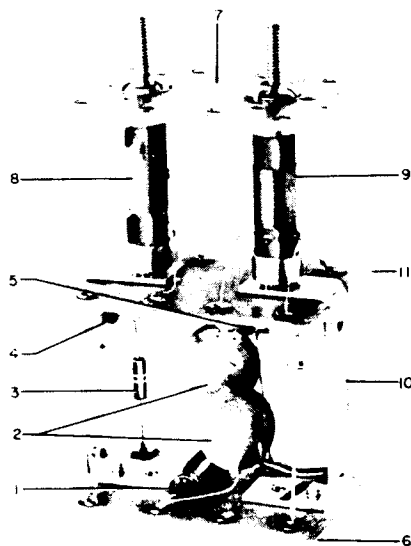


Figure 41. Intermediate Frequency Transformer Assembly

FIG. & INDEX NO.	PART NO.	DESCRIPTION							UNITS PER ASSY	USABLE ON CODE	
		1	2	3	4	5	6	7			
INTERMEDIATE FREQUENCY TRANSFORMER ASSEMBLY (cont)											
41-7	31022-1	.	BOARD, Terminal							1	
			(ATTACHING PARTS)								
	C7133B-632-012	.	NUT, Tension (TIN)							2	
		----	*----								
-8	31209-1	.	COIL AND FERRULE ASSY, IF							1	
-9	31110-1	.	COIL AND FERRULE ASSY, IF							1	
			(ATTACHING PARTS)								
	COMM	.	SCREW, Binding hd steel Cd pl No. 6-32 NC-2							2	
			x 5/16 in. lg incl external tooth lock washer steel Cd pl 0.270 OD x 0.021 in. thick								
	AN936B6	.	WASHER							2	
		----	*----								
-10	31017-1	.	BRACKET, Mounting							2	
-11	31092-1	.	TERMINAL BOARD AND LUG ASSY							1	

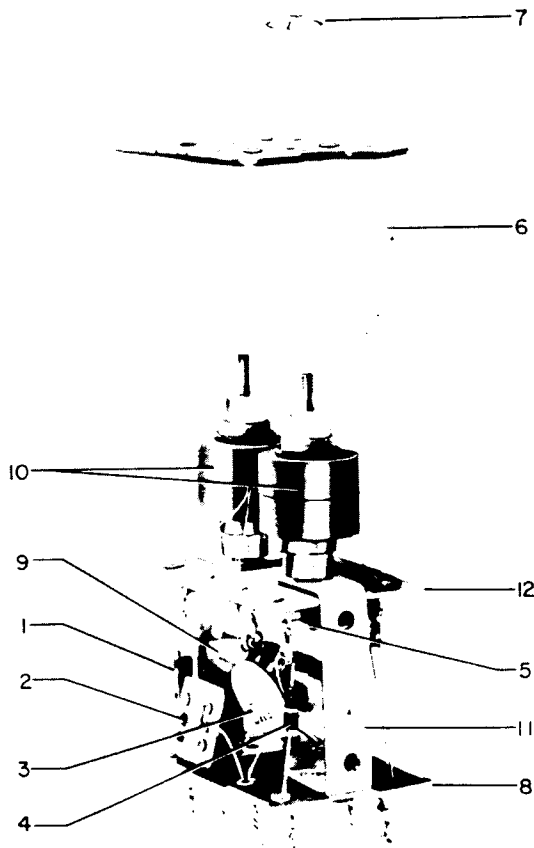


Figure 42. Intermediate Frequency Transformer Assembly

PART NO.	DESCRIPTION							UNITS PER ASSY	USABLE ON CODE
	1	2	3	4	5	6	7		
INTERMEDIATE FREQUENCY TRANSFORMER ASSEMBLY									
31102-2	TRANSFORMER ASSY, IF (see fig. 32-84 for next higher assy)							Ref	
CM15C301G	. CAPACITOR, Fixed mica dielectric (MIL-C-5A)							1	
CM30C132G	. CAPACITOR, Fixed mica dielectric (MIL-C-5A)							1	
No Number	. CAPACITOR, Fixed ceramic dielectric 10,000 uuf 1000 v DC working type B (RAMT)							1	
RC20BF222K	. RESISTOR, Fixed composition (MIL-R-11A)							1	
CM15C221G	. CAPACITOR, Fixed mica dielectric (MIL-C-5A)							1	
31021-1	. SHIELD ASSY, IF coil							1	
(ATTACHING PARTS)									
C7133B-632-012	. NUT, Tension (TIN)							2	
-----*									
31101-1	. TRANSFORMER SUB-ASSY, IF							1	
31092-1	. . TERMINAL BOARD AND LUG ASSY, IF							1	
(ATTACHING PARTS)									
COMM	. . SCREW, Binding hd steel Cd pl No. 6-32 NC-2 x 5/16 in. lg incl external tooth lock washer steel Cd pl 0.270 OD x 0.021 in. thick							2	
-----*									
31026-1	. . COIL ASSY, IF							1	
31067-1	. . COIL AND FERRULE ASSY, IF							2	
(ATTACHING PARTS)									
COMM	. . SCREW, Binding hd steel Cd pl No. 6-32 NC-2 x 5/16 in. lg incl external tooth lock washer steel Cd pl 0.270 OD x 0.021 in. thick							2	
AN936B6	. . WASHER							2	
-----*									
31017-2	. . BRACKET, Mounting							2	
31092-1	. . TERMINAL BOARD AND LUG ASSY, IF							1	

**SECTION III
NUMERICAL INDEX**

AF Class Code or Stock No.	Part No.	AF Source Code	Fig. and Index No.	Qty Per Article	Micro-film Index	AF Class Code or Stock No.	Part No.	AF Source Code	Fig. and Index No.	Qty Per Article	Micro-film Index
	CABLE ASSY		32-10	1			SCREW		2-4	4	
	CAPACITOR		5-14	54			SCREW		3-29	2	
			8-25				SCREW		3-30	8	
			9-5				SCREW		3-47	9	
			10-4				SCREW		3-53	16	
			11-1				SCREW		4-41	6	
			12-2				SCREW		4-47	2	
			14-1				SCREW		4-49	4	
			15-2				SCREW		5-	66	
			32-19				SCREW		5-	121	
			35-6				SCREW		5-	2	
			36-4				SCREW		5-4	22	
			37-4				SCREW		5-18	22	
			38-4				SCREW		5-20	15	
			41-2				SCREW		5-25	2	
			42-3				SCREW		6-2	4	
	CAPACITOR		10-1	1			SCREW		7-21	25	
	CAPACITOR		13-2	1			SCREW		7-27	2	
	CAPACITOR		16-1	1			SCREW		8-24	4	
	CAPACITOR		22-3	1			SCREW		29-10	2	
	CAPACITOR		25-3	1			SCREW		29-49	1	
	CAPACITOR		32-28	1			SCREW		29-53	2	
	CAPACITOR		41-5	1			SCREW		32-	4	
	CONNECTOR		32-47	1			SCREW		32-	20	
	CRYSTAL UNIT		36-1	1			SCREW		32-98	6	
	CRYSTAL UNIT		40-1	1			SCREW		38-	4	
	MOUNTING						SOCKET		9-19	1	
	PLATE AND						SWITCH		3-51	1	
	TERMINAL						SWITCH		5-41	1	
	BOARD SUB-						WASHER		4-34	1	
	ASSY		9-23	NP			WASHER		5-	3	
	NUT		3-26	12			WASHER		5-26	4	
	NUT		3-44	8			WASHER		29-36	2	
	NUT		4-43	22			WASHER		29-43	6	
	NUT		5-	6			WRENCH		8-1	1	
	NUT		5-	73			WRENCH		8-2	1	
	NUT		7-23	6			WRENCH		8-3	1	
	NUT		29-16	1			AGC 3/8		3-58	2	
	NUT		39-	1			AN505-4-4		5-	7	
	PIN		4-25	1			AN505-4-7		5-	6	
	RESISTOR		7-25	1			AN505-6-5		32-	4	
	RESISTOR		7-26	1			AN515-2-4		7-2	6	
	RESISTOR		9-14	3			AN515-2-6		7-9	2	
	RESISTOR		32-4	1			AN515-8-10		29-42	6	
	RESISTOR		32-5	1			AN565D6H2		3-41	4	
	RESISTOR		32-44	1			AN565D8H3		5-5	4	
	RESISTOR		32-45	1			AN565D8H6		30-2	2	
	RIVET		32-123	4			AN935-4		3-39	2	
	SCREW		2-2	10			AN935-6		3-36	1	

Ann III
 Technical Index

Part No.	Part No.	AF Source Code	Fig. and Index No.	Qty Per Article	Micro-film Index	AF Class Code or Stock No.	Part No.	AF Source Code	Fig. and Index No.	Qty Per Article	Micro-film Index
	AN936A10		3-31	15			C7133B-632-012		23-		
	AN936A2		7-3	8			(cont)		24-		
	AN936A4		4-44	14					25-		
	AN936A6		5-	5					26-		
	AN936A616		3-27	7					27		
	AN936A8		5-28	2					28-		
	AN936B4		32-	24					39-		
	AN936B6		5-	56					40-8		
	AN936B8		3-45	6					41-		
	CC-80W-PP		5-43	1					42-7		
	CC20CJ070F		23-2	1			D-1		11-2	24	
	CC20HJ150J		26-2	2					12-4		
	CC21UJ050C		9-2	2					13-3		
	CC21UJ120J		5-2	2					14-2		
	CC21UJ270J		39-2	1					15-4		
	CC21UJ510F		25-2	1					16-2		
	CC21UJ510J		32-21	2					17-3		
	CC26SL101K		35-5	2					18-5		
	CE33D200R		6-5	1					19-3		
	CE63D100H		32-39	5					20-3		
	CM15A512J		35-8	1					21-5		
	CM15B100K		19-2	1					22-4		
	CM15C101G		9-6	8					23-3		
	CM15C121G		22-1	1					24-2		
	CM15C200J		17-2	3					25-4		
	CM15C221G		10-2	4					26-3		
	CM15C271G		40-4	1					27-2		
	CM15C301G		42-1	2			D-54108		28-3		
	CM15C330J		20-2	3			HKP-Q		4-3	1	
	CM15C390J		5-12	1			JANOA2		32-120	2	
	CM15C510G		27-1	4			JAN12AU7		3-11	1	
	CM20C101G		25-1	1			JAN5R4GY		3-9	1	
	CM20C431G		34-2	4			JAN5726/6AL5W/		3-13	1	
	CM20C510G		28-1	1			6097		3-10	3	
	CM20C611G		28-2	1			JAN5749/6BA6W		3-8	7	
	CM30C102G		23-1	1			JAN6AC7		5-1	1	
	CM30C103J		32-12	3			JAN6BE6		3-15	2	
	CM30C122G		19-1	1			JAN6C4		3-14	3	
	CM30C132G		42-2	2			JAN6V6GT		3-12	1	
	CM30C152G		20-1	4			JJ-034		32-2	1	
	CM30C242J		17-1	4			MDL1-6/10		3-59	2	
	CM30C332G		13-1	1			P11003		7-28	4	
	CM30E222J		5-16	1			RA20A1SA102AK		32-46	1	
	CM35A512J		32-15	2			RC20BF100K		32-23	3	
	CP27A2EF254K		38-5	1			RC20BF102K		9-7	7	
	CP28A1EC254M		32-36	1			RC20BF103J		9-8	11	
	CP28A1EC503M		32-35	1			RC20BF104K		32-34	13	
	CP53B6EF503V		7-33	1			RC20BF105K		32-22	3	
	C7133B-632-012		10-6	35			RC20BF112J		33-2	2	
			11-				RC20BF124J		32-76	2	
			12-				RC20BF151J		9-11	1	
			13-				RC20BF152K		32-33	1	
			14-				RC20BF155K		38-2	2	
			15-				RC20BF181K		5-9	2	
			16-				RC20BF183K		32-29	2	
			17-				RC20BF220K		9-1	4	
			18-				RC20BF222K		10-3	7	
			19-				RC20BF223J		32-31	3	
			20-				RC20BF240J		18-4	2	
			21-				RC20BF241J		33-1	1	
			22-				RC20BF273K		12-1	9	

AF Class Code or Stock No.	Part No.	AF Source Code	Fig. and Index No.	Qty Per Article	Micro-film Index	AF Class Code or Stock No.	Part No.	AF Source Code	Fig. and Index No.	Qty Per Article	Micro-film Index
	RC20BF333J		9-13	3		1520			5-36	1	
	RC20BF334J		32-24	1		1561-1			4-9	4	
	RC20BF335K		32-7	1					4-15		
	RC20BF391J		32-32	1					4-21		
	RC20BF473K		5-15	4					4-28		
	RC20BF474K		32-17	2		15611-1			9-15	1	
	RC20BF510J		12-3	4		15612-1			9-16	3	
	RC20BF511J		9-10	3					36-3		
	RC20BF681K		32-20	1		15613-1			9-17	2	
	RC20BF682K		9-12	1					41-1		
	RC20BF823J		32-27	3		15615-2			39-7	1	
	RC30BF203J		36-2	1		15616-1			34-5	1	
	RC30BF222K		34-6	1		15617-1			5-11	1	
	RC30BF361J		32-16	1		15627-1			9-18	1	
	RW32G252		37-1	1		15856-1			33-5	1	
	SP-4P		32-11	1		15862-1			31-1	1	
	T-2-5		5-31	5		16136-2			5-	1	
			5-37			16140-2			32-	1	
			32-50			16141-2			32-	1	
			32-59			19578-3			4-36	1	
			32-85			19578-4			4-32	1	
	T-8-6		32-53	1		19580-1			4-35	1	
	TSE7T101		9-21	14		2			5-34	2	
			32-93						32-72		
			32-94			2029			32-88	2	
	TS102C01		9-20	1		2102-4			32-48	2	
	TS102U01		3-5	3					40-9		
	TS102U02		3-3	11		2104-6			7-32	20	
	TS102U03		3-6	1					8-26		
	TS103U02		3-4	1					10-5		
	UG-102/U		3-1	1					32-38		
	UG-103/U		9-22	1					32-40		
	UG-104/U		3-2	1					32-43		
	WA510		5-22	5					32-51		
			29-30						32-54		
	WA512		4-8	9					32-66		
			4-14						32-86		
			4-20						32-91		
			4-27						38-6		
			4-38			2109-10-01			32-113	1	
			29-22			2116-06			32-92	1	
			29-35			2423			5-32	3	
	10002-16		5-	6					32-49		
	10002-4		4-45	8					32-57		
	10002-62		7-29	4		25			5-35	1	
	10003-6		29-15	1		2666			5-39	1	
	10010-19		7-19	2		31002-1			30-7	7	
	10010-35		32-104	1		31003-1			8-47	48	
	10027-13		29-17	2		31004-1			11-	48	
			29-32						12-		
	10049-2		8-19	2					13-		
	103		8-4	1					14-		
	1060		32-	10					15-		
	11726-109		5-40	1					16-		
	11776-1		40-10	1					17-		
	1220-2		3-57	5					18-		
			4-31						19-		
			32-						20-		
	124		32-114	1					21-		
	1369		32-14	1					22-		
	139		8-49	2					23-		

III
Local Index

Code No.	Part No.	AF Source Code	Fig. and Index No.	Qty Per Article	Micro-film Index	AF Class Code or Stock No.	Part No.	AF Source Code	Fig. and Index No.	Qty Per Article	Micro-film Index
31004-1			24-				31104-4		39-	1	
(cont)			25-				31105-1		32-60	1	
			26-				31106-4		32-81	1	
			27-				31110-1		41-9	1	
			28-				31113-1		40-	1	
31017-1			40-13	4			31114-1		32-82	1	
			41-10				31116-2		32-83	1	
31017-2			42-11	4			31117-1		31-11	3	
31019-1			32-78	3			31119-1		8-16	1	
31021-1			40-7	3			31124-1		36-6	1	
			42-6				31125-1		29-38	1	
31022-1			41-7	1			31126-1		29-2	1	
31023-1			32-80	5			31128-1		8-27	1	
31026-1			42-9	2			31129-1		8-17	1	
31027-1			39-12	1			31131-1		32-64	1	
31028-2			39-14	1			31132-1		32-77	1	
31029-2			32-110	1			31133-1		32-76	1	
31030-2			6-1	1			31135-4		32-125	1	
31031-2			6-9	1			31137-1		29-48	1	
31036-1			29-41	1			31139-1		7-42	1	
31037-1			29-40	1			31140-1		32-65	1	
31039-1			29-34	2			31141-1		32-41	1	
31047-1			29-18	1			31142-1		7-41	5	
31050-1			29-8	1					31-10		
31051-1			29-23	1					32-119		
31052-1			29-12	1			31143-1		7-24	6	
31059-1			29-24	3					7-40		
31063-1			29-44	1			31144-1		31-8	1	
31064-1			29-21	1			31145-1		2-1	1	
31065-1			30-9	3			31146-1		7-38	1	
31065-2			30-8	3			31146-2		7-37	1	
31066-1			30-6	1			31150-1		29-31	1	
31067-1			42-10	4			31151-1		32-56	1	
31068-1			40-12	1			31155-1		8-11	1	
31069-1			10-9	1			31162-1		37-9	1	
31070-3			39-10	1			31163-1		34-7	2	
31071-1			39-13	1					35-9		
31076-2			39-9	1			31164-1		29-14	1	
31077-1			30-12	1			31166-1		29-54	1	
31078-1			30-10	1			31169-1		29-13	1	
31078-2			30-1	1			31170-1		29-37	1	
31080-1			31-13	1			31173-1		29-11	1	
31083-1			7-17	2			31177-1		29-7	1	
31085-1			29-52	1			31179-1		10-10	2	
31086-2			32-99	1			31181-1		10-7	1	
31089-1			9-3	24			31182-1		10-11	1	
31091-1			39-15	1			31183-1		8-23	1	
31091-2			39-11	1			31185-1		7-11	1	
31092-1			40-6	7			31186-1		7-8	1	
			41-6				31189-1		29-5	4	
			41-11				31192-1		30-3	1	
			42-8				31198-1		29-39	1	
			42-12				31199-1		7-1	2	
31094-1			40-14	1			31201-1		29-1	1	
31095-1			29-26	1			31202-1		29-3	1	
31096-1			29-28	1			31203-1		9-4	4	
31097-1			29-29	1			31204-1		30-5	1	
31098-1			29-27	1			31205-1		29-6	2	
31101-1			42-	2			31209-1		41-8	1	
31102-2			32-84	2			31215-1		3-20	2	
31103-1			10-8	1			31216-1		32-9	1	

AF Class Code or Stock No.	Part No.	AF Source Code	Fig. and Index No.	Qty Per Article	Micro-film Index	AF Class Code or Stock No.	Part No.	AF Source Code	Fig. and Index No.	Qty Per Article	Micro-film Index
	31217-1		32-55	1			31397-1		8-43	1	
	31219-3		4-50	1			31398-1		8-42	2	
	31227-1		3-22	1			31399-1		8-41	1	
	31227-2		3-21	1			31403-1		8-46	1	
	31227-3		3-18	1			31404-1		8-45	2	
	31227-4		3-23	1			31405-1		8-44	1	
	31227-5		3-19	1			31409-1		3-46	1	
	31231-1		8-9	1			31410-1		5-44	1	
	31233-1		9-	1			31411-1		5-3	1	
	31234-1		9-	4			31412-1		5-33	1	
	31238-1		3-28	1			31413-1		5-21	1	
	31239-1		29-51	3			31414-1		5-24	1	
	31241-1		39-8	1			31415-1		5-19	1	
	31242-1		40-11	1			31416-1		5-23	1	
	31244-1		13-4	1			31417-1		5-17	6	
	31245-1		11-3	1			31418-1		5-27	4	
	31246-1		12-5	2			31419-1		5-8	3	
	31248-1		16-3	1			31419-2		5-7	1	
	31249-1		14-3	1			31420-1		32-117	1	
	31250-1		15-5	2			31421-1		32-105	4	
	31251-1		19-4	1					32-108		
	31252-1		17-4	1			31422-1		32-115	1	
	31253-1		18-6	2			31423-1		3-43	1	
	31254-1		22-5	1			31424-1		32-103	2	
	31255-1		20-4	1					32-106		
	31256-1		21-6	2			31425-1		32-100	1	
	31257-1		25-5	1			31426-1		32-97	1	
	31258-1		23-4	1			31427-1		11-4	4	
	31259-1		24-3	2					14-4		
	31260-1		28-4	1					17-5		
	31261-1		26-4	1					20-5		
	31262-1		27-3	2			31428-1		12-6	14	
	31275-1		5-	1					13-5		
	31276-1		7-4	2					15-6		
	31277-1		29-47	1					18-7		
	31278-1		31-4	1					19-5		
	31279-1		29-50	3					21-7		
	31280-1		7-20	1					24-4		
	31281-1		4-40	2					27-4		
	31282-1		4-46	1			31429-1		23-5	2	
	31283-1		4-42	2					26-5		
	31285-1		29-56	1			31430-1		16-4	4	
	31286-1		6-11	1					22-6		
	31287-1		29-	1					25-6		
	31288-1		29-	1					28-5		
	31290-1		7-18	2			31431-1		4-	1	
	31291-1		8-50	1			31431-2		4-	1	
	31376-1		8-18	1			31431-3		4-	1	
	31378-1		8-21	1			31432-1		4-	1	
	31385-1		8-31	1			31433-1		3-37	1	
	31386-1		8-30	2			31434-1		3-25	2	
	31387-1		8-29	1			31435-1		3-40	1	
	31388-1		8-34	1			31436-1		3-49	1	
	31389-1		8-33	2			31437-1		3-35	1	
	31390-1		8-32	1			31438-1		7-14	1	
	31391-1		8-37	1			31439-1		7-15	1	
	31392-1		8-36	2			31442-1		4-26	1	
	31393-1		8-35	1			31443-1		4-29	1	
	31394-1		8-40	1			31444-1		4-7	3	
	31395-1		8-39	2					4-13		
	31396-1		8-38	1					4-19		

on III
 ical Index

Part No.	AF Source Code	Fig. and Index No.	Qty Per Article	Micro-film Index	Part No.	AF Source Code	Fig. and Index No.	Qty Per Article	Micro-film Index
31445-1		4-22	1		33928-1		38-8	1	
31445-2		4-16	1		33929-1		32-68	1	
31445-3		4-10	1		33994-1		33-4	1	
31446-1		3-42	1		34001-1		8-13	1	
31447-1		3-52	1		3437-1		3-35	1	
31449-1		3-7	2		350-2		3-54	10	
		3-55			3502-10-1		4-33	1	
31452-1		8-6	1		3901-2		5-6	1	
31453-1		3-	1		4		32-74	1	
31454-1		4-1	1		402AC		32-37	1	
31458-1		4-39	1		4099		32-122	4	
31459-1		4-37	1		415-2		3-33	1	
31460-1		4-	1		415-3		3-32	3	
31462-1		3-24	1		42		32-75	1	
31463-1		4-48	1		4540		5-10	1	
31470-1		3-38	2		4541		5-13	1	
31472-1		32-63	1		47		3-16	4	
31476-1		2-3	1		4903-2		4-2	1	
31480-1		32-42	1		53F12875		32-90	1	
31483-1		5-42	1		6039-1		3-34	1	
31484-1		6-8	2		78		8-48	4	
31485-1		6-6	2		79		32-87	4	
31492-1		32-121	1				32-95		
31493-1		32-124	1		81		3-17	4	
31495-1		3-56	1		81057NA		32-3	1	
32		32-73	1		8280		32-1	2	
33		8-5	1		8360		32-6	1	
33901-3		2-5	1		8363		32-8	1	
33903-3		3-60	1		9226-11		32-52	1	
33906-1		7-44	1		9226-13		7-6	4	
33908-1		4-4	1		9748-1		5-30	6	
33924-1		3-48	1		9859		5-38	3	
33926-1		38-7	2				32-89		

**SECTION IV
REFERENCE DESIGNATION INDEX**

Reference Designation	Figure and Index No.	Class Code or Stock No.	Part No.
-----------------------	----------------------	-------------------------	----------

Reference Designation	Figure and Index No.	Class Code or Stock No.	Part No.
-----------------------	----------------------	-------------------------	----------

C1	8-13		34001-1
C2	11-4		31427-1
C3	11-1		No Number
C4	14-4		31427-1
C5	14-1		No Number
C6	17-2		CM15C200J
C7	17-5		31427-1
C8	17-1		CM30C242J
C9	20-2		CM15C330J
C10	20-5		31427-1
C11	20-1		CM30C152G
C12	23-2		CC20CJ070F
C13	23-5		31429-1
C14	23-1		CM30C102G
C15	26-2		CC20HJ150J
C16	26-5		31429-1
C17	26-1		CM30C152G
C18	9-6		CM15C101G
C19	9-5		No Number
C20	9-5		No Number
C21	9-5		No Number
C22	9-5		No Number
C23	9-5		No Number
C24	9-5		No Number
C25	9-6		CM15C101G
C26	12-6		31428-1
C27	12-2		No Number
C28	15-6		31428-1
C29	15-2		No Number
C30	18-3		CM15C200J
C31	18-7		31428-1
C32	18-2		CM30C242J
C33	21-3		CM15C330J
C34	21-7		31428-1
C35	21-2		CM30C152G
C36	24-4		31428-1
C37	24-1		CM15C101G
C38	27-4		31428-1
C39	27-1		CM15C510G
C40	9-5		No Number
C41	9-5		No Number
C42	9-5		No Number
C43	9-5		No Number
C44	9-5		No Number
C46	12-6		31428-1
C47	12-2		No Number
C48	15-6		31428-1
C49	15-2		No Number
C50	18-3		CM15C200J

C51	18-7		31428-1
C52	18-2		CM30C242J
C53	21-3		CM15C330J
C54	21-7		31428-1
C55	21-2		CM30C152G
C56	24-4		31428-1
C57	24-1		CM15C101G
C58	27-4		31428-1
C59	27-1		CM15C510G
C60	5-2		CC21UJ120J
C61	5-14		No Number
C62	5-16		CM30E222J
C63	5-12		CM15C390J
C64	5-14		No Number
C65	5-40		11726-109
C66	9-5		No Number
C67	10-1		No Number
C68	9-5		No Number
C69	10-2		CM15C221G
C70	10-4		No Number
C71	9-5		No Number
C72	9-5		No Number
C73	9-5		No Number
C74	9-5		No Number
C75	9-6		CM15C101G
C76	13-5		31428-1
C77	13-1		CM30C332G
C78	13-2		No Number
C79	9-2		CC21UJ050C
C80	9-2		CC21UJ050C
C81	16-4		31430-1
C82	16-1		No Number
C83	19-2		CM15B100K
C84	19-5		31428-1
C85	19-1		CM30C122G
C86	22-6		31430-1
C87	22-1		CM15C121G
C88	22-2		CC21UJ120J
C89	22-3		No Number
C90	25-6		31430-1
C91	25-1		CM20C101G
C92	25-2		CC21UJ510F
C93	25-3		No Number
C94	28-5		31430-1
C95	28-1		CM20C510G
C96	28-2		CM20C611G
C97	41-5		No Number
C98	41-2		No Number
C99	41-4		CM15C510G

on IV
 Reference Designation Index

Reference Designation	Figure and Index No.	Class Code or Stock No.	Part No.
	38-4	No Number	
	8-25	No Number	
	36-4	No Number	
	36-4	No Number	
	32-19	No Number	
	32-19	No Number	
	40-2	CM15C221G	
	32-19	No Number	
	32-19	No Number	
	40-3	CM15C101G	
	40-10	11776-1	
	40-3	CM15C101G	
	40-3	CM15C101G	
	40-4	CM15C271G	
	37-4	No Number	
	32-19	No Number	
	42-5	CM15C221G	
	42-3	No Number	
	42-1	CM15C301G	
	42-2	CM30C132G	
	37-4	No Number	
	32-19	No Number	
	42-3	No Number	
	42-5	CM15C221G	
	42-1	CM15C301G	
	42-2	CM30C132G	
	37-4	No Number	
	32-39	CE63D100H	
	7-33	CP53B6EF503V	
	39-2	CC21UJ270J	
	39-3	CM20C431G	
	39-1	CM30C242J	
	39-3	CM20C431G	
	39-4	CM15C510G	
	32-19	No Number	
	32-19	No Number	
	32-36	CP28A1EC254M	
	32-21	CC21UJ510J	
	32-21	CC21UJ510J	
	34-2	CM20C431G	
	35-5	CC26SL101K	
	35-5	CC26SL101K	
	35-8	CM15A512J	
	32-35	CP28A1EC503M	
	32-25	CC20HJ150J	
	32-19	No Number	
	32-15	CM35A512J	
	35-6	No Number	
	32-15	CM35A512J	
	32-28	No Number	
	32-39	CE63D100H	
	32-12	CM30C103J	
	9-5	No Number	
	9-5	No Number	
	9-5	No Number	
	32-19	No Number	
	41-2	No Number	
	32-39	CE63D100H	
	32-39	CE63D100H	
	32-39	CE63D100H	
	6-5	CE33D200R	

Reference Designation	Figure and Index No.	Class Code or Stock No.	Part No.
C162	32-19	No Number	
C163	38-5	CP27A2EF254K	
C164	34-2	CM20C431G	
C165	9-5	No Number	
C166	9-5	No Number	
C167	37-4	No Number	
C168	32-12	CM30C103J	
C169	32-12	CM30C103J	
E2	32-41	31141-1	
E3	32-42	31480-1	
E4	32-57	2423	
E5	32-49	2423	
E6	32-85	T-2-5	
E7	5-36	1520	
E8	5-32	2423	
E9	32-59	T-2-5	
E10	32-50	T-2-5	
E11	5-37	T-2-5	
E12	5-31	T-2-5	
E13	38-8	33928-1	
E14	32-53	T-8-6	
E15	35-9	31163-1	
E16	34-7	31163-1	
E17	37-9	31162-1	
E18	4-1	31454-1	
F1	3-59	MDL 1-6/10	
F2	3-58	AGC 3/8	
I2	3-16	47	
I3	3-16	47	
I4	3-16	47	
I1	3-16	47	
J1	9-22	UG-103/U	
J2	32-47	No Number	
J3	32-2	JJ-034	
J5	32-37	402AC	
L1	11-3	31245-1	
L2	14-3	31249-1	
L3	17-4	31252-1	
L4	20-4	31255-1	
L5	23-4	31258-1	
L6	26-4	31261-1	
L7	9-16	15612-1	
L8	12-5	31246-1	
L9	15-5	31250-1	
L10	18-6	31253-1	
L11	21-6	31256-1	
L12	24-3	31259-1	
L13	27-3	31262-1	
L14	9-16	15612-1	
L15	12-5	31246-1	
L16	15-5	31250-1	
L17	18-6	31253-1	
L18	21-6	31256-1	
L19	24-3	31259-1	
L20	27-3	31262-1	
L21	5-11	15617-1	
L22	5-10	4540	
L23	5-13	4541	
L24	9-18	15627-1	
L25	13-4	31244-1	
L26	16-3	31248-1	

Reference Designation	Figure and Index No.	Class Code or Stock No.	Part No.
L27	19-4	31251-1	
L28	22-5	31254-1	
L29	25-5	31257-1	
L30	28-4	31260-1	
L31	10-8	31103-1	
L32	10-9	31069-1	
L33	41-9	31110-1	
L34	41-8	31209-1	
L35	36-3	15612-1	
L36	40-11	31242-1	
L37	40-12	31068-1	
L38	42-10	31067-1	
L39	42-10	31067-1	
L40	42-9	31026-1	
L41	42-10	31067-1	
L42	42-10	31067-1	
L43	42-9	31026-1	
L44	39-13	31071-1	
L45	39-10	31070-3	
L46	39-7	15615-2	
L47	34-5	15616-1	
L48	9-15	15611-1	
L49	9-17	15613-1	
L50	41-1	15613-1	
L51	6-1	31030-2	
L52	6-9	31031-2	
L53	32-14	1369	
M1	4-2	4903-2	
P1	32-10	No Number	
P2	3-1	UG-102/U	
P3	3-2	UG-104/U	
R1	9-14	No Number	
R2	9-8	RC20BF103J	
R3	9-13	RC20BF333J	
R4	9-7	RC20BF102K	
R5	9-10	RC20BF511J	
R6	9-7	RC20BF102K	
R7	12-3	RC20BF510J	
R8	15-3	RC20BF510J	
R9	18-4	RC20BF240J	
R10	21-4	RC20BF220K	
R11	9-1	RC20BF220K	
R12	9-8	RC20BF103J	
R13	9-14	No Number	
R14	9-13	RC20BF333J	
R15	9-10	RC20BF511J	
R16	9-7	RC20BF102K	
R17	12-3	RC20BF510J	
R18	15-3	RC20BF510J	
R19	18-4	RC20BF240J	
R20	21-4	RC20BF220K	
R21	9-1	RC20BF220K	
R22	9-9	RC20BF473K	
R23	5-15	RC20BF473K	
R24	5-9	RC20BF181K	
R25	5-9	RC20BF181K	
R26	9-14	No Number	
R27	9-11	RC20BF151J	
R28	9-12	RC20BF682K	
R29	9-7	RC20BF102K	
R30	9-7	RC20BF102K	

Reference Designation	Figure and Index No.	Class Code or Stock No.	Part No.
R31	10-3		RC20BF222K
R32	37-3		RC20BF511J
R33	32-33		RC20BF152K
R35	41-3		RC20BF104K
R36	32-31		RC20BF223J
R37	32-30		RC20BF222K
R38	36-5		RC20BF104K
R39	37-2		RC20BF333J
R40	36-2		RC30BF203J
R41	40-5		RC20BF222K
R42	32-23		RC20BF100K
R43	37-6		RC20BF104K
R44	37-5		RC20BF103J
R45	33-1		RC20BF241J
R46	33-2		RC20BF112J
R47	33-3		RC20BF183K
R48	38-1		RC20BF105K
R49	42-4		RC20BF222K
R50	32-23		RC20BF100K
R51	37-6		RC20BF104K
R52	37-5		RC20BF103J
R53	37-5		RC20BF103J
R54	42-4		RC20BF222K
R55	32-23		RC20BF100K
R56	37-6		RC20BF104K
R57	37-5		RC20BF103J
R58	34-1		RC20BF222K
R59	34-6		RC30BF222K
R60	34-4		RC20BF105K
R61	32-22		RC20BF105K
R62	35-1		RC20BF104K
R63	35-4		RC20BF273K
R64	35-3		RC20BF473K
R65	35-2		RC20BF223J
R66	32-29		RC20BF183K
R67	35-1		RC20BF104K
R68	35-1		RC20BF104K
R69	32-45		No Number
R70	32-13		RC20BF103J
R72	7-25		No Number
R73	7-26		No Number
R74	32-46		RA20A1SA102AK
R75	32-34		RC20BF104K
R76	39-6		RC20BF104K
R77	39-5		RC20BF473K
R78	32-17		RC20BF474K
R79	32-20		RC20BF681K
R80	34-1		RC20BF222K
R81	35-1		RC20BF104K
R82	35-7		RC20BF103J
R83	32-18		RC20BF102K
R84	32-4		No Number
R85	37-1		RW32G252
R86	32-27		RC20BF823J
R87	32-26		RC20BF124J
R88	32-26		RC20BF124J
R89	32-27		RC20BF823J
R90	32-13		RC20BF103J
R91	32-13		RC20BF103J
R92	32-13		RC20BF103J
R93	32-5		No Number

IV
 Reference Designation Index

Reference Designation	Figure and Index No.	Class Code or Stock No.	Part No.
-----------------------	----------------------	-------------------------	----------

Reference Designation	Figure and Index No.	Class Code or Stock No.	Part No.
-----------------------	----------------------	-------------------------	----------

	38-3	RC20BF112J	T28	8-31	31385-1
	37-8	RC20BF823J	T29	8-34	31388-1
	37-7	RC20BF223J	T30	8-37	31391-1
	32-7	RC20BF335K	T31	8-40	31394-1
	32-17	RC20BF474K	T32	8-43	31397-1
	32-16	RC30BF361J	T33	8-46	31403-1
	34-3	RC20BF104K	T34	3-45	31409-1
	32-44	No Number	V1	3-8	JAN5749/6BA6W
	12-1	RC20BF273K	V2	3-8	JAN5749/6BA6W
	12-1	RC20BF273K	V3	5-1	JAN6AC7
	15-1	RC20BF273K	V4	3-14	JAN6C4
	15-1	RC20BF273K	V5	3-15	JAN6BE6
	18-1	RC20BF273K	V6	3-15	JAN6BE6
	18-1	RC20BF273K	V7	3-8	JAN5749/6BA6W
	21-1	RC20BF273K	V8	3-14	JAN6C4
	21-1	RC20BF273K	V9	3-8	JAN5749/6BA6W
	34-3	RC20BF104K	V10	3-8	JAN5749/6BA6W
	32-32	RC20BF391J	V11	3-8	JAN5749/6BA6W
	32-24	RC20BF324J	V12	3-8	JAN5749/6BA6W
	9-7	RC20BF102K	V13	3-14	JAN6C4
	38-2	RC20BF155K	V14	3-10	JAN5726/6AL5W/6097
	38-2	RC20BF155K	V15	3-10	JAN5726/6AL5W/6097
C, D	9-	31234-1	V16	3-9	JAN12AU7
	5-41	No Number	V17	3-12	JAN6V6GT
	3-50	No Number	V18	3-11	JAN0A2
C	31-1	15862-1	V19	3-13	JAN5R4GY
	33-5	15856-1	V20	3-10	JAN5726/6AL5W/6097
	32-1	8280	X1	9-21	TSE7T101
	32-6	8360	X2	9-21	TSE7T101
	32-8	8363	X3	5-38	9859
	32-1	8280	X4	9-19	No Number
	32-5	No Number	X5	9-20	TS102C01
	32-3	81057NA	X6	32-94	TSE7T101
	8-23	31183-1	X7	32-93	TSE7T101
	32-83	31116-2	X8	32-94	TSE7T101
	32-82	31114-1	X9	32-93	TSE7T101
	32-84	31102-2	X10	32-93	TSE7T101
	32-84	31102-2	X11	32-93	TSE7T101
	32-81	31106-4	X12	32-93	TSE7T101
	32-99	31086-2	X13	32-93	TSE7T101
	32-110	31029-2	X14	32-93	TSE7T101
	8-29	31387-1	X15	32-93	TSE7T101
	8-32	31390-1	X16	32-90	53F12875
	8-35	31393-1	X17	32-89	9859
	8-38	31396-1	X18	32-93	TSE7T101
	8-41	31399-1	X19	32-89	9859
	8-44	31405-1	X20	32-93	TSE7T101
	8-30	31386-1	X21	5-30	9748-1
	8-33	31389-1	X22	5-30	9748-1
	8-36	31392-1	X23	5-30	9748-1
	8-39	31395-1	X24	5-30	9748-1
	8-42	31398-1	X25	5-30	9748-1
	8-45	31404-1	X26	5-30	9748-1
	8-30	31386-1	Y7	36-1	No Number
	8-33	31389-1	Y8	40-1	No Number
	8-36	31392-1			
	8-39	31395-1			
	8-42	31398-1			
	8-45	31404-1			